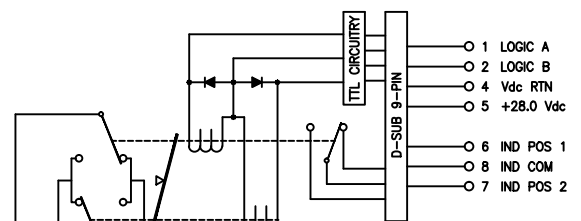
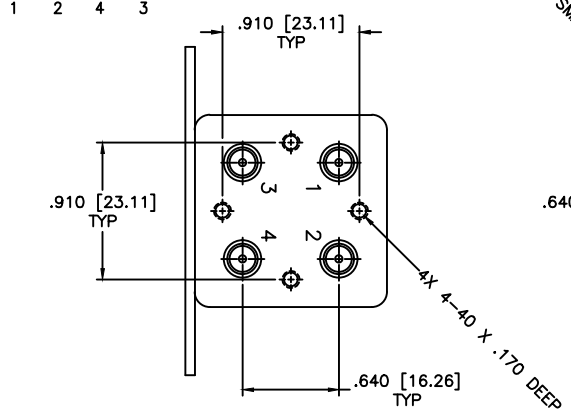


SCHMATIC
LATCHING, INDICATOR, SUPPRESSION DIODE, TTL, D-SUB 9-PIN



POS 1 NORMALLY CLOSED
POS 1 { 1-3 & 2-4 }
POS 2 { 1-2 & 3-4 }



SPECIFICATIONS

FREQUENCY RANGE: DC-12.4 GHz
VSWR: 1.40:1 MAX.
INSERTION LOSS: 0.40dB MAX.
ISOLATION: 70dB MIN.

MECHANICAL

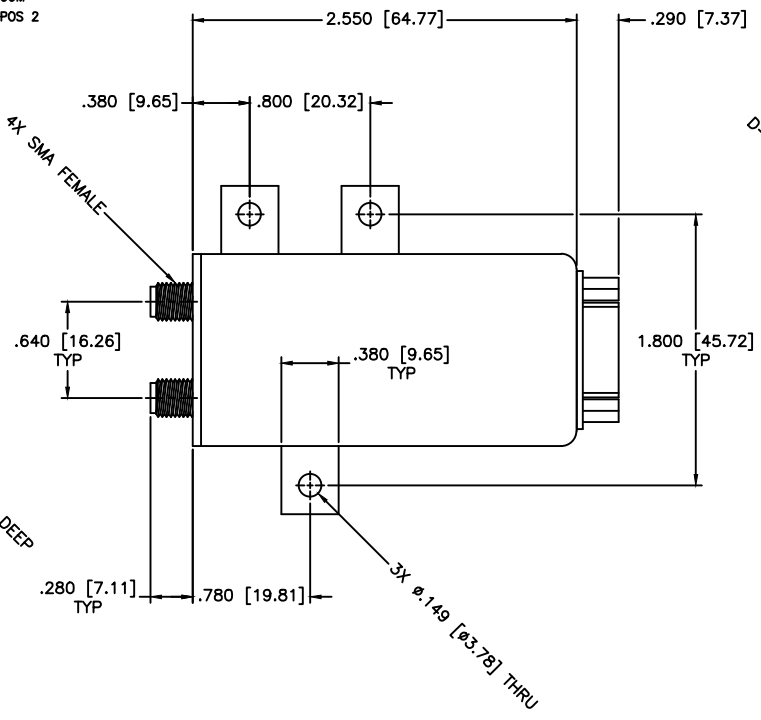
CONTACT: BREAK BEFORE MAKE
ACTUATOR: LATCHING
SWITCHING SPEED: 20 mSEC MAX

ELECTRICAL

ACTUATOR VOLTAGE: 28.0±3.0 Vdc
ACTUATOR CURRENT: 125mA MAX @ 28.0 Vdc
POWER HANDLING: 200W CW @ 1.0GHz
IMPEDANCE: 50 Ohms

ENVIRONMENTAL

OPERATING TEMP: -54°C to +90°C
SINE VIBRATION: 30 G'S rms
LIFE: 1,000,000 CYCLES
RANDOM VIBRATION: 20 G'S rms

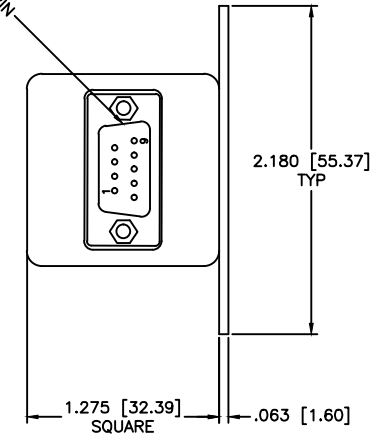


REVISIONS

ZONE	REV	DESCRIPTION	Date	APPROVED

D SUB 9-PIN CONNECTOR

PIN	APP.	FUNCTION
1	+5.0 Vdc	RF POS 1
2	+5.0 Vdc	RF POS 2
3	SPARE	NONE
4	Vdc RTN	SUPPLY
5	+28.0 Vdc	SUPPLY
6	INDICATOR	IND. POS 1
7	INDICATOR	IND. POS 2
8	INDICATOR	IND. COMMON
9	SPARE	NONE



MATERIAL:	
DRAWN: Paiboon Luekhamhan	DATE: 01-06-2009
APPROVED: T. Nguyen	DATE: 01-06-2009



MICROWAVE COMMUNICATIONS LABORATORIES INC.
7255 30TH AVE. N. SAINT PETERSBURG, FL 33710
TEL: (727) 344-6254 FAX: (727) 381-6116
http://WWW.MCLI.COM

SCALE:	N/A
SHEET:	N/A

UNLESS OTHERWISE SPECIFIED:
TOLERANCES
IN (INCHES) OR [mm] (MILLIMETERS)
FRACTIONS: ± 1/64
DECIMALS: ±.02 ±.009
ANGLE: ±1/2°

DRAWING TITLE: ELECTROMECHANICAL SWITCHES

PART NO. C1-6-LISL/C

PROSECUTION NOTICE:
THE INFORMATION IN THIS DRAWING IS PROPRIETARY
AND SHALL NOT BE USED OR DISCLOSED WITHOUT WRITTEN
PERMISSION FROM MICROWAVE COMMUNICATIONS
LABORATORIES INC. (MCLI)
THIRD ANGLE PROJECTION

CAGE CODE: OD2L5	SIZE: N/A	REV: N/A	DWG NO. 81627
DO NOT SCALE THE DRAWING			