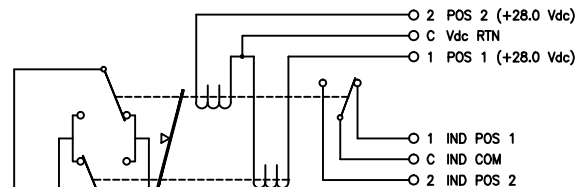
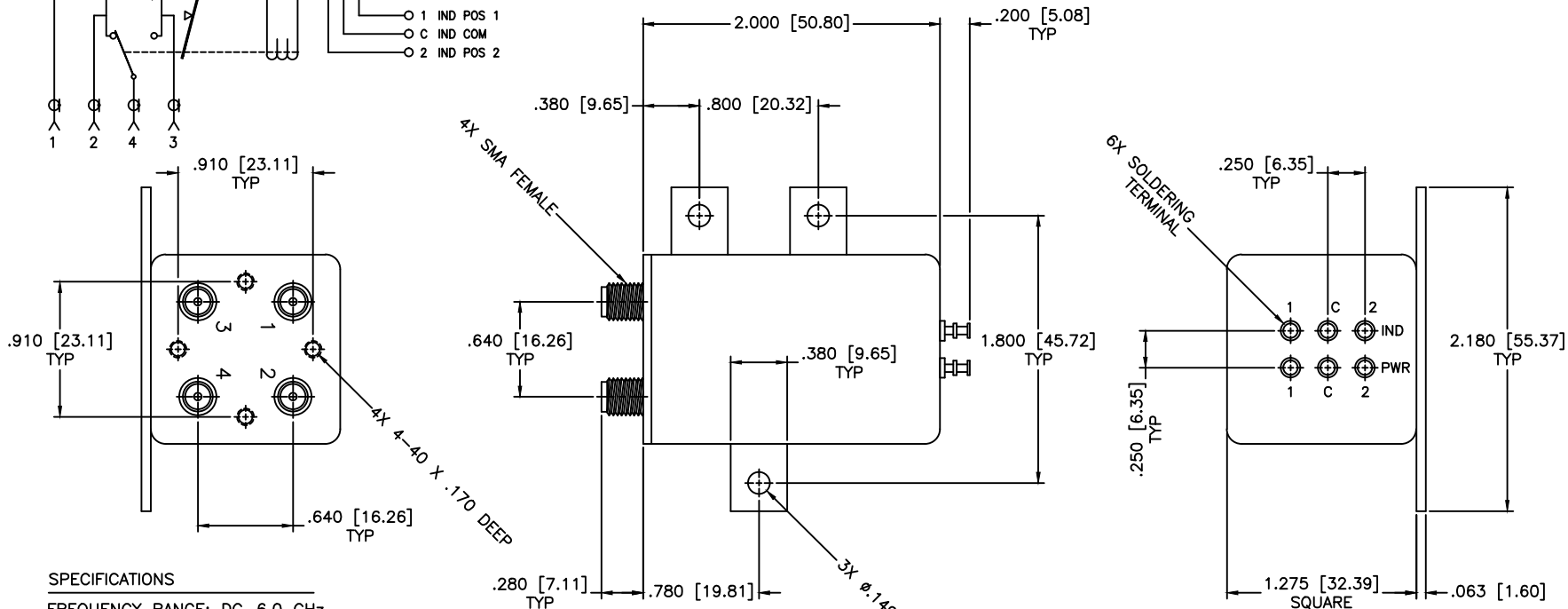


SCHEMATIC
SHOWN IN LATCHING, INDICATOR



POS 1 NORMALLY CLOSED
POS 1 (1-3 & 2-4)
POS 2 (1-2 & 3-4)

REVISIONS				
ZONE	REV	DESCRIPTION	Date	APPROVED



SPECIFICATIONS

FREQUENCY RANGE: DC-6.0 GHz
VSWR: 1.30:1 MAX.
INSERTION LOSS: 0.30dB MAX.
ISOLATION: 80dB MIN.

MECHANICAL

CONTACT: BREAK BEFORE MAKE
ACTUATOR: LATCHING
SWITCHING SPEED: 20 mSEC MAX

ELECTRICAL

ACTUATOR VOLTAGE: 28.0±3.0 Vdc
ACTUATOR CURRENT: 125mA MAX @ 28.0 Vdc
POWER HANDLING: 200W CW @ 1.0GHz
IMPEDANCE: 50 Ohms

ENVIRONMENTAL

OPERATING TEMP: -54°C to +90°C
SINE VIBRATION: 30 G'S rms
LIFE: 1,000,000 CYCLES
RANDOM VIBRATION: 20 G'S rms

MATERIAL:	
DRAWN: Paiboon Luengkhamhan	DATE: 04-24-2012
APPROVED: T. Nguyen	DATE: 04-24-2012



MICROWAVE COMMUNICATIONS LABORATORIES INC.
7255 30TH AVE. N. SAINT PETERSBURG, FL 33710
TEL: (727) 344-6254 FAX: (727) 381-6116
http://WWW.MCLI.COM

SCALE:	N/A
SHEET:	N/A

UNLESS OTHERWISE SPECIFIED:
TOLERANCES
IN (INCHES) OR [mm] (MILLIMETERS)
FRACTIONS: ± 1/64
DECIMALS: ±.02 ±.009
ANGLE: ±1/2°

DRAWING TITLE:
ELECTROMECHANICAL SWITCHES

PART NO.
C1-4-LI

THIRD ANGLE PROJECTION

CAGE CODE: OD2L5	SIZE: N/A	REV: N/A	DWG NO. 86083
DO NOT SCALE THE DRAWING			