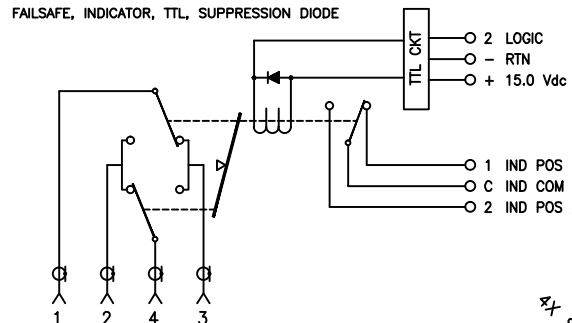
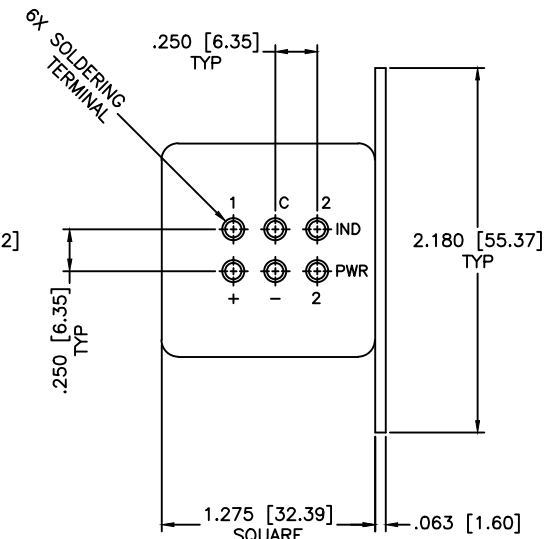
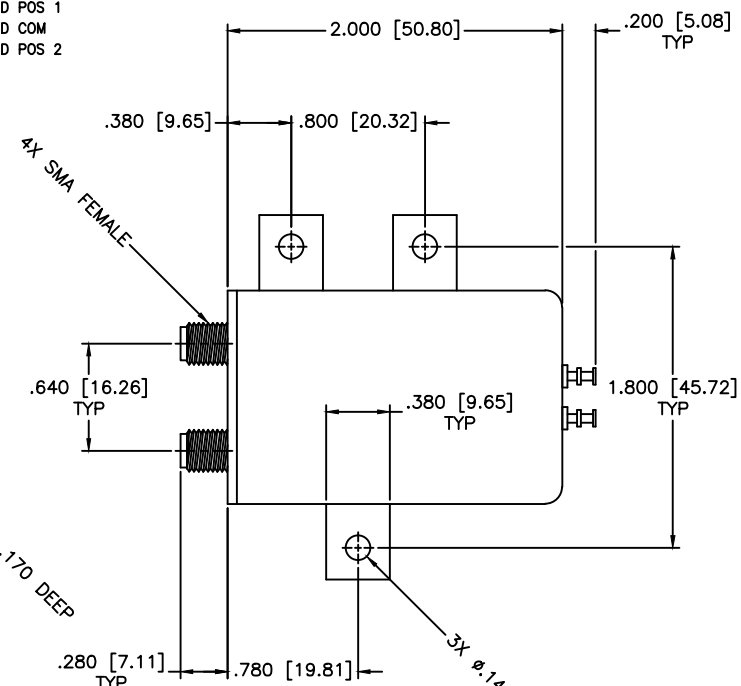
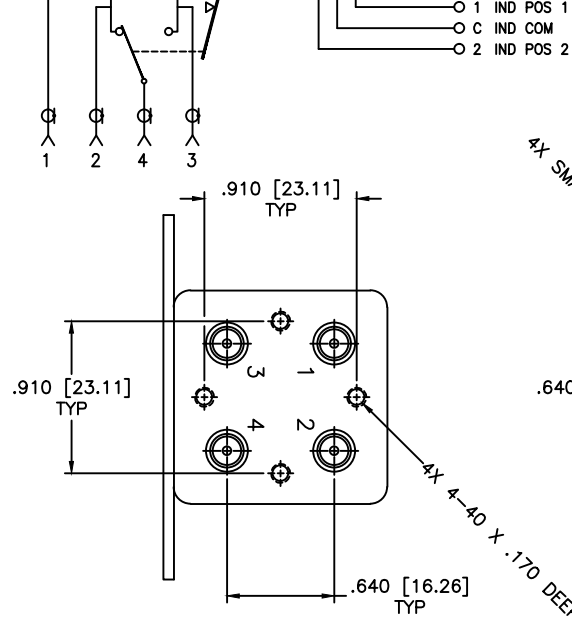


SCHEMATIC
FAILSAFE, INDICATOR, TTL, SUPPRESSION DIODE



POS 1 NORMALLY CLOSED
 POS 1 { 1-3 & 2-4 }
 POS 2 { 1-2 & 3-4 }

REVISIONS				
ZONE	REV	DESCRIPTION	Date	APPROVED



SPECIFICATIONS

FREQUENCY RANGE: DC-6.0 GHz
 VSWR: 1.30:1 MAX.
 INSERTION LOSS: 0.30dB MAX.
 ISOLATION: 80dB MIN.

MECHANICAL

CONTACT: BREAK BEFORE MAKE
 ACTUATOR: FAILSAFE
 SWITCHING SPEED: 20 mSEC MAX

ELECTRICAL

ACTUATOR VOLTAGE: 15.0±3.0 Vdc
 ACTUATOR CURRENT: 190mA MAX @ 15.0 Vdc
 POWER HANDLING: 200W CW @ 1.0GHz
 IMPEDANCE: 50 Ohms

ENVIRONMENTAL

OPERATING TEMP: -54°C to +90°C
 SINE VIBRATION: 30 G'S rms
 LIFE: 1,000,000 CYCLES
 RANDOM VIBRATION: 20 G'S rms

MATERIAL:	
DRAWN: Paiboon Luekhamhan	DATE: 03-31-2001
APPROVED: T. Nguyen	DATE: 03-31-2001

MICROWAVE COMMUNICATIONS LABORATORIES INC. 7255 30TH AVE. N. SAINT PETERSBURG, FL 33710 TEL: (727) 344-6254 FAX: (727) 381-6116 http://WWW.MCLI.COM	SCALE: N/A
	SHEET: N/A
UNLESS OTHERWISE SPECIFIED: TOLERANCES IN (INCHES) OR [mm] (MILLIMETERS) FRACTIONS: ± 1/64 DECIMALS: ±.02 ±.009 ANGLE: ±1/2°	
DRAWING TITLE: ELECTROMECHANICAL SWITCHES	
PART NO. C1-4-FIL/15	
CAGE CODE: OD2L5	SIZE: N/A
REV: N/A	DWG NO. 81618
DO NOT SCALE THE DRAWING	

