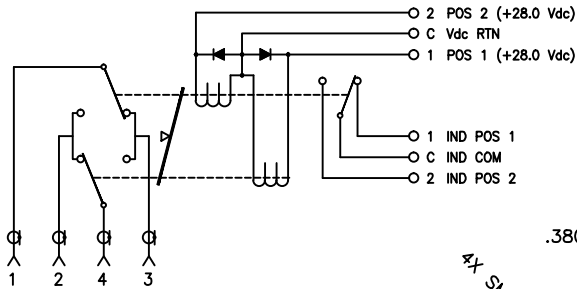
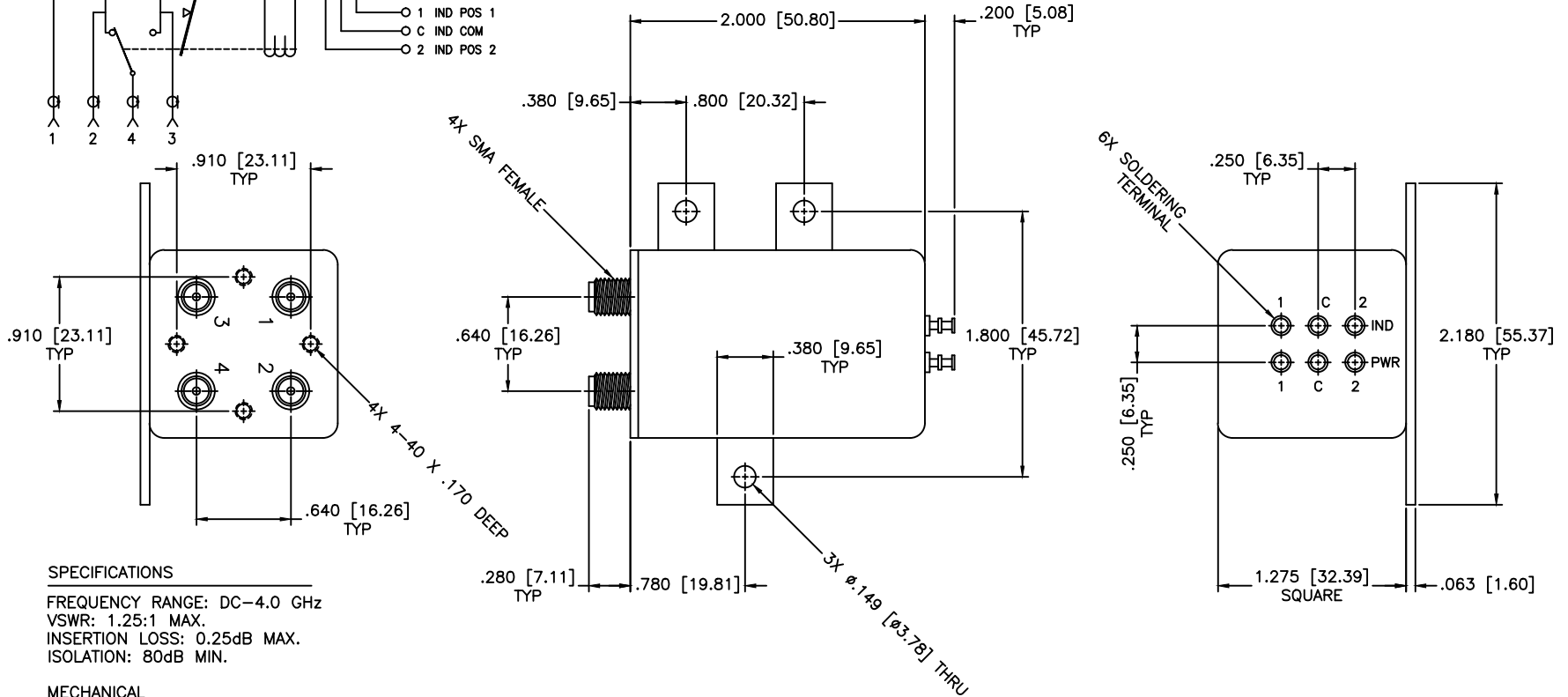


SCHEMATIC
LATCHING, INDICATOR, SUPPRESSION DIODE



POS 1 NORMALLY CLOSED
POS 1 (1-3 & 2-4)
POS 2 (1-2 & 3-4)

| REVISIONS | | | |
|-----------|-----|-------------|----------|
| ZONE | REV | DESCRIPTION | APPROVED |
| | | | |



SPECIFICATIONS

FREQUENCY RANGE: DC-4.0 GHz
VSWR: 1.25:1 MAX.
INSERTION LOSS: 0.25dB MAX.
ISOLATION: 80dB MIN.

MECHANICAL

CONTACT: BREAK BEFORE MAKE
ACTUATOR: LATCHING
SWITCHING SPEED: 20 mSEC MAX

ELECTRICAL

ACTUATOR VOLTAGE: 28.0±3.0 Vdc
ACTUATOR CURRENT: 125mA MAX @ 28.0 Vdc
POWER HANDLING: 200W CW @ 1.0GHz
IMPEDANCE: 50 Ohms

ENVIRONMENTAL

OPERATING TEMP: -54°C to +90°C
SINE VIBRATION: 30 G'S rms
LIFE: 1,000,000 CYCLES
RANDOM VIBRATION: 20 G'S rms

| | |
|------------------------------|---------------------|
| MATERIAL: | |
| DRAWN: Paiboon Luekhamhan | DATE: 03-31-2001 |
| APPROVED: T. Nguyen | DATE: 03-31-2001 |

| | | | | |
|--|--|------------------|-------------|------------------|
| <p>MICROWAVE COMMUNICATIONS LABORATORIES INC. 7255 30TH AVE. N. SAINT PETERSBURG, FL 33710 TEL: (727) 344-6254 FAX: (727) 381-6116 http://WWW.MCLI.COM</p> | SCALE: N/A | | | |
| | SHEET: N/A | | | |
| <p>UNLESS OTHERWISE SPECIFIED: TOLERANCES IN (INCHES) OR [mm] (MILLIMETERS) FRACTIONS: ± 1/64 DECIMALS: ±.02 ±.009 ANGLE: ±1/2°</p> | DRAWING TITLE: ELECTROMECHANICAL SWITCHES | | | |
| <p>PERMISSION TO REPRODUCE THIS DRAWING IS GRANTED BY MCLI FOR THE LIMITED PURPOSE OF PROVIDING INFORMATION TO THE USER. THIS PERMISSION IS EXTENDED TO THE USER ON THE CONDITION THAT THE USER SHALL NOT BE USED OR DISCLOSED WITHOUT WRITTEN PERMISSION FROM MICROWAVE COMMUNICATIONS LABORATORIES INC. (MCLI)</p> | PART NO. C1-3-LIS | | | |
| <p>THIRD ANGLE PROJECTION</p> | CAGE CODE: OD2L5 | | | |
| | <table border="1"> <tr> <td>SIZE: N/A</td> <td>REV: N/A</td> <td>DWG NO. 84364</td> </tr> </table> | SIZE: N/A | REV: N/A | DWG NO. 84364 |
| SIZE: N/A | REV: N/A | DWG NO. 84364 | | |
| | DO NOT SCALE THE DRAWING | | | |