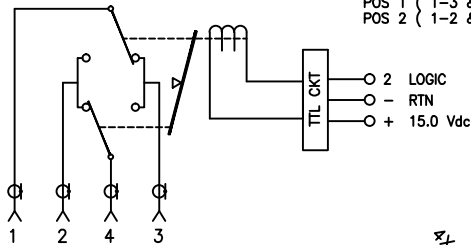
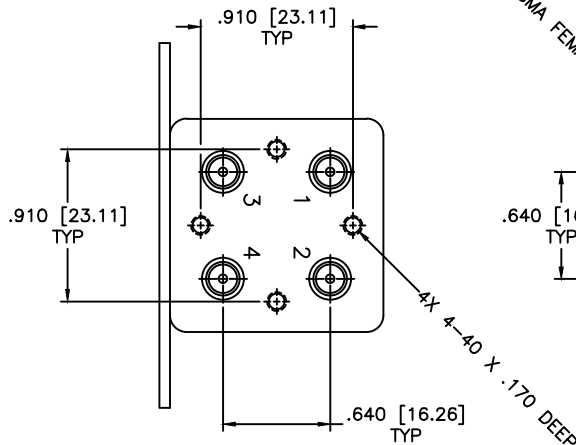


SCHEMATIC
SHOWN IN FAILSAFE, TTL



POS 1 NORMALLY CLOSED
POS 1 (1-3 & 2-4)
POS 2 (1-2 & 3-4)



SPECIFICATIONS

FREQUENCY RANGE: DC-1.0 GHz
VSWR: 1.20:1 MAX.
INSERTION LOSS: 0.20dB MAX.
ISOLATION: 90dB MIN.

MECHANICAL

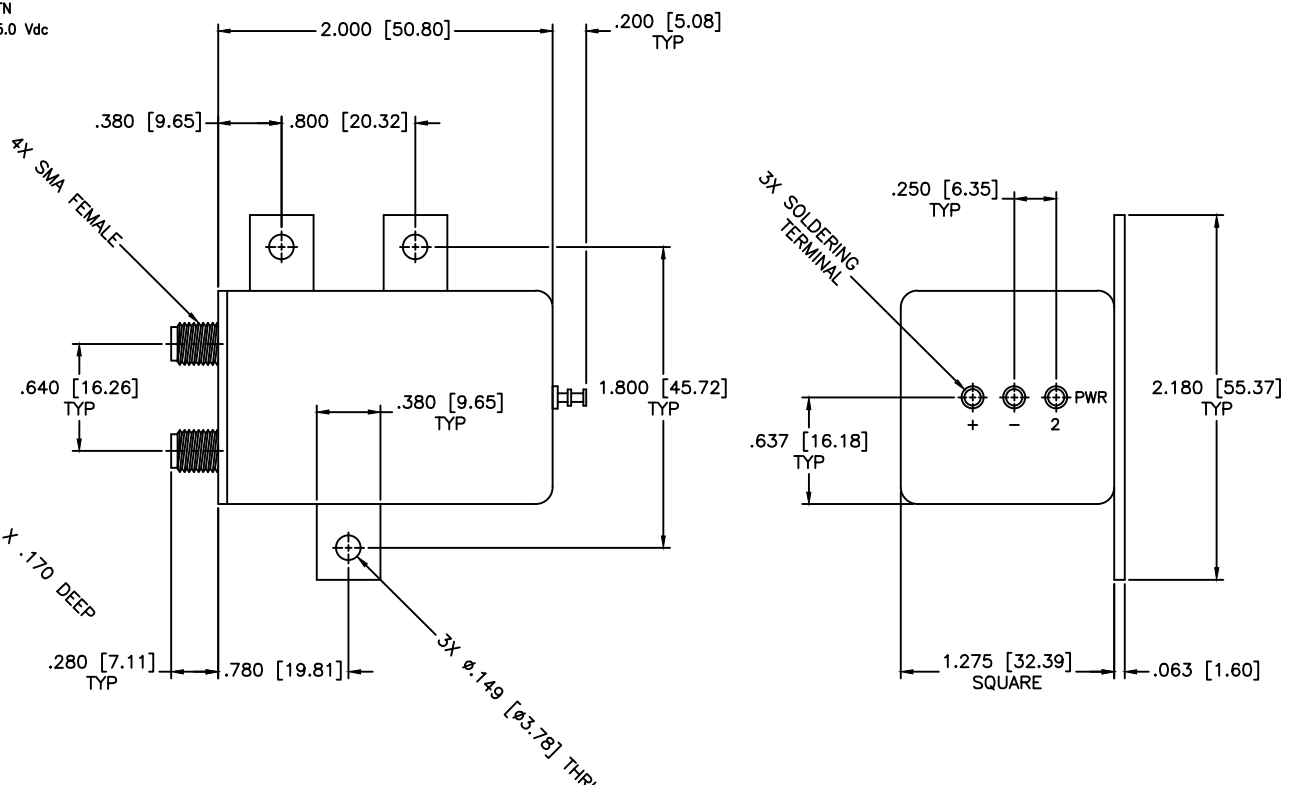
CONTACT: BREAK BEFORE MAKE
ACTUATOR: FAILSAFE
SWITCHING SPEED: 20 mSEC MAX

ELECTRICAL

ACTUATOR VOLTAGE: 15.0±3.0 Vdc
ACTUATOR CURRENT: 190mA MAX @ 15.0 Vdc
POWER HANDLING: 200W CW @ 1.0GHz
IMPEDANCE: 50 Ohms

ENVIRONMENTAL

OPERATING TEMP: -54°C to +90°C
SINE VIBRATION: 30 G'S rms
LIFE: 1,000,000 CYCLES
RANDOM VIBRATION: 20 G'S rms



REVISIONS				
ZONE	REV	DESCRIPTION	Date	APPROVED

MATERIAL:		MCLI MICROWAVE COMMUNICATIONS LABORATORIES INC. 7255 30TH AVE. N. SAINT PETERSBURG, FL 33710 TEL: (727) 344-6254 FAX: (727) 381-6116 http://WWW.MCLI.COM	SCALE:	N/A
			SHEET:	N/A
DRAWING TITLE:		ELECTROMECHANICAL SWITCHES		
PART NO.:		C1-1-FL/15		
DRAWN: Paiboon Luekhamhan DATE: 03-31-2001	DATE: 03-31-2001	UNLESS OTHERWISE SPECIFIED: TOLERANCES IN (INCHES) OR [mm] (MILLIMETERS) FRACTIONS: ± 1/64 DECIMALS: ±.02 ±.009 ANGLE: ±1/2°	CAGE CODE:	OD2L5
APPROVED: T. Nguyen	DATE: 03-31-2001	FREQUENTLY USED: THE INFORMATION IN THIS DRAWING IS PROPRIETARY AND SHALL NOT BE USED OR DISCLOSED WITHOUT WRITTEN PERMISSION FROM MICROWAVE COMMUNICATIONS LABORATORIES INC. (MCLI)	SIZE: N/A	REV: N/A
		THIRD ANGLE PROJECTION	DWG NO. 84156	
DO NOT SCALE THE DRAWING				