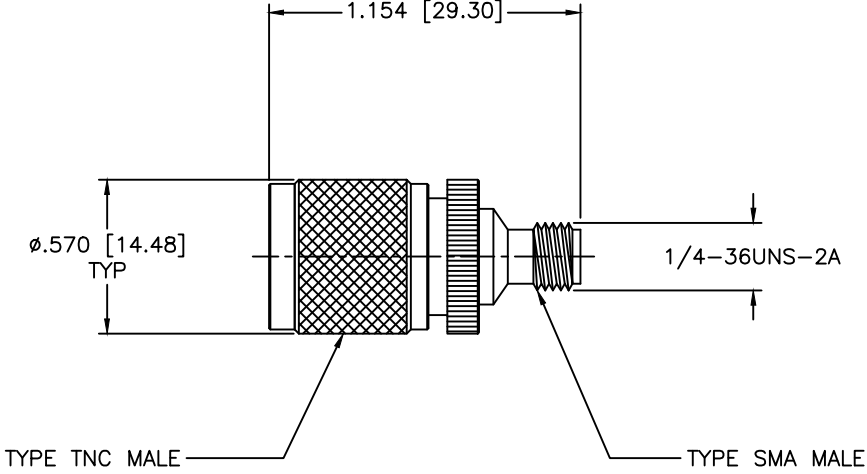


REVISIONS				
ZONE	REV	DESCRIPTION	Date	APPROVED



MATERIAL:			MICROWAVE COMMUNICATIONS LABORATORIES INC. 7255 30TH AVE. N. SAINT PETERSBURG, FL 33710 TEL: (727) 344-6254 FAX: (727) 381-6116 http://WWW.MCLI.COM		SCALE: N/A
					SHEET: N/A
UNLESS OTHERWISE SPECIFIED: TOLERANCES IN (INCHES) OR [mm] (MILLIMETERS) FRACTIONS: $\pm 1/64$ DECIMALS: $\pm .02 \pm .015$ ANGLE: $\pm 1/2^\circ$		DRAWING TITLE: TNC PLUG TO SMA JACK ADAPTER			
DRAWN: Paiboon Luekhamhan		DATE: 02-12-2010		PART NO. ADZ-11-MF	
APPROVED: T. Nguyen		DATE: 02-12-2010		CAGE CODE: OD2L5	SIZE: N/A REV: N/A DWG NO.: 84701
<small>PROPRIETARY NOTICE: THE INFORMATION IN THIS DRAWING IS PROPRIETARY AND SHALL NOT BE USED OR DISCLOSED WITHOUT WRITTEN PERMISSION FROM MICROWAVE COMMUNICATIONS LABORATORIES INC. (MCLI)</small>		<small>THIRD ANGLE PROJECTION</small> 		DO NOT SCALE THE DRAWING	