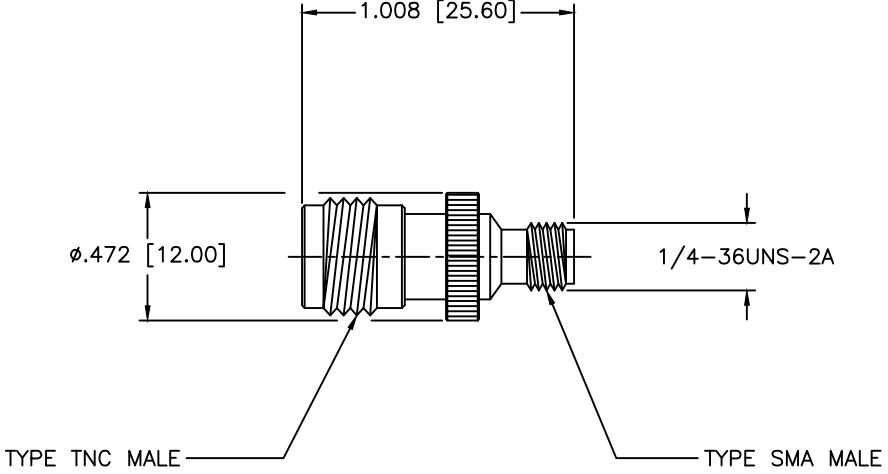


REVISIONS				
ZONE	REV	DESCRIPTION	Date	APPROVED



MATERIAL:		MICROWAVE COMMUNICATIONS LABORATORIES INC. 7255 30TH AVE. N. SAINT PETERSBURG, FL 33710 TEL: (727) 344-6254 FAX: (727) 381-6116 http://WWW.MCLI.COM		SCALE:	N/A
				SHEET:	N/A
UNLESS OTHERWISE SPECIFIED: TOLERANCES IN (INCHES) OR [mm] (MILLIMETERS) FRACTIONS: ± 1/64 DECIMALS: ± .02 ± .015 ANGLE: ± 1/2°		DRAWING TITLE:			
		TNC JACK TO SMA PLUG ADAPTER			
DRAWN:		DATE:		PART NO.	
Paiboon Luekhamhan		02-12-2010		ADZ-11-FF	
APPROVED:		DATE:		CAGE CODE:	SIZE: N/A
T. Nguyen		02-12-2010		OD2L5	REV: N/A
PROPRIETARY NOTICE: THE INFORMATION IN THIS DRAWING IS PROPRIETARY AND SHALL NOT BE USED OR DISCLOSED WITHOUT WRITTEN PERMISSION FROM MICROWAVE COMMUNICATIONS LABORATORIES INC. (MCLI)		THIRD ANGLE PROJECTION 		DWG NO. 84703 DO NOT SCALE THE DRAWING	