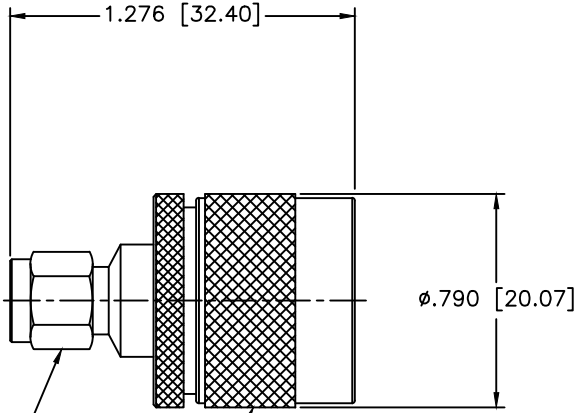


REVISIONS				
ZONE	REV	DESCRIPTION	Date	APPROVED



TYPE SMA MALE
.315 HEX [8.0]

TYPE N MALE

MATERIAL: BRASS/NICKEL		MCLI MICROWAVE COMMUNICATIONS LABORATORIES INC. 7255 30TH AVE. N. SAINT PETERSBURG, FL 33710 TEL: (727) 344-6254 FAX: (727) 381-6116 http://WWW.MCLI.COM	SCALE: N/A
UNLESS OTHERWISE SPECIFIED: TOLERANCES IN (INCHES) OR [mm] (MILLIMETERS) FRACTIONS: ± 1/64 DECIMALS: ±.02 ±.015 ANGLE: ±1/2°			SHEET: N/A
DRAWN: Paiboon Luekhamhan		DRAWING TITLE: SMA PLUG TO N PLUG ADAPTER	
DATE: 02-12-2010		PART NO. ADX-11-MM	
APPROVED: T. Nguyen		DATE: 02-12-2010	
PROPRIETARY NOTICE: THE INFORMATION IN THIS DRAWING IS PROPRIETARY AND SHALL NOT BE USED OR DISCLOSED WITHOUT WRITTEN PERMISSION FROM MICROWAVE COMMUNICATIONS LABORATORIES INC. (MCLI)		CAGE CODE: OD2L5	SIZE: N/A REV: N/A DO NOT SCALE THE DRAWING
THIRD ANGLE PROJECTION 		DWG NO. 84704	