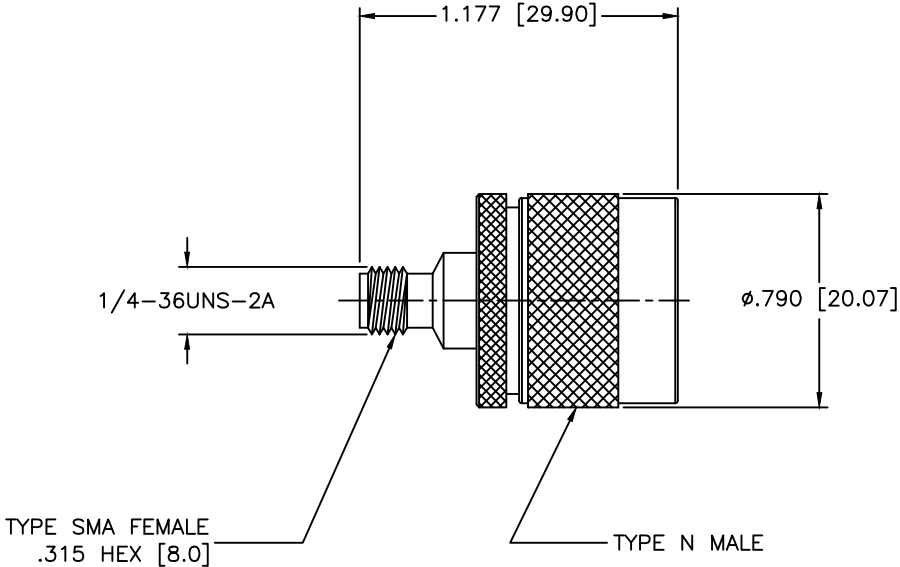


REVISIONS				
ZONE	REV	DESCRIPTION	Date	APPROVED



MATERIAL:			MICROWAVE COMMUNICATIONS LABORATORIES INC. 7255 30TH AVE. N. SAINT PETERSBURG, FL 33710 TEL: (727) 344-6254 FAX: (727) 381-6116 http://WWW.MCLI.COM		SCALE:	N/A	
BRASS/NICKEL			UNLESS OTHERWISE SPECIFIED: TOLERANCES IN (INCHES) OR [mm] (MILLIMETERS) FRACTIONS: ± 1/64 DECIMALS: ±.02 ±.015 ANGLE: ±1/2°	DRAWING TITLE: SMA JACK TO N PLUG ADAPTER		SHEET:	N/A
DRAWN:	DATE:	<small>PROPRIETARY NOTICE: THE INFORMATION IN THIS DRAWING IS PROPRIETARY AND SHALL NOT BE USED OR DISCLOSED WITHOUT WRITTEN PERMISSION FROM MICROWAVE COMMUNICATIONS LABORATORIES INC. (MCLI)</small>	PART NO. ADX-11-FM		CAGE CODE:		
APPROVED:	DATE:		OD2L5	SIZE:	N/A	REV:	N/A
Paiboon Luekhamhan		02-12-2010		DO NOT SCALE THE DRAWING		DWG NO.	84705
T. Nguyen		02-12-2010		THIRD ANGLE PROJECTION			