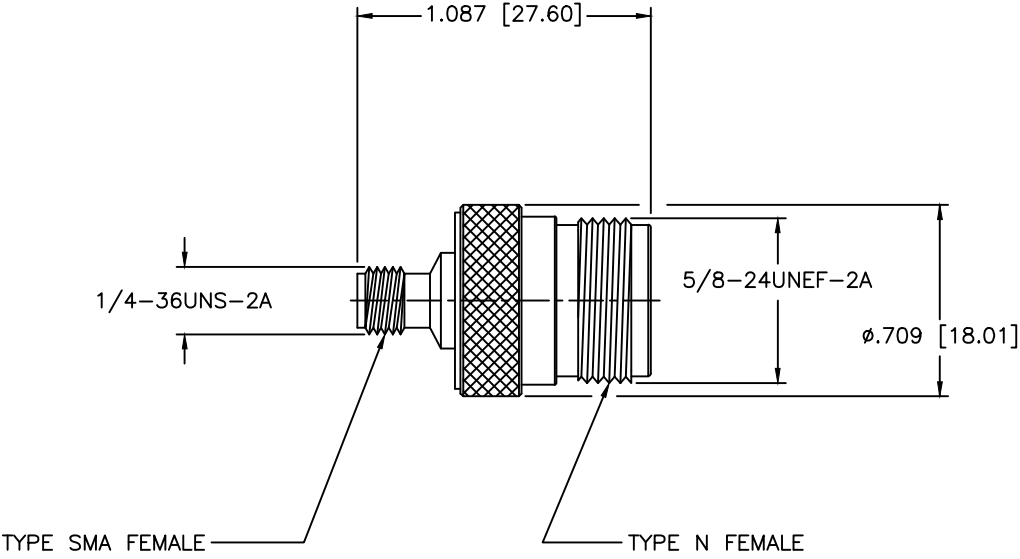

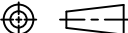


REVISIONS				
ZONE	REV	DESCRIPTION	Date	APPROVED



MATERIAL:		 MCLI MICROWAVE COMMUNICATIONS LABORATORIES INC. 7255 30TH AVE. N. SAINT PETERSBURG, FL 33710 TEL: (727) 344-6254 FAX: (727) 381-6116 http://WWW.MCLI.COM	SCALE:	N/A
BRASS/NICKEL			SHEET:	N/A
DRAWN: Paiboon Luekhamhan		DATE: 02-12-2010	DRAWING TITLE: SMA JACK TO N JACK ADAPTER	
APPROVED: T. Nguyen		DATE: 02-12-2010	PART NO. ADX-11-FF	
<small>UNLESS OTHERWISE SPECIFIED: TOLERANCES IN (INCHES) OR [mm] (MILLIMETERS) FRACTIONS: ± 1/64 DECIMALS: ±.02 ±.015 ANGLE: ±1/2°</small>		<small>PROPRIETARY NOTICE: THE INFORMATION IN THIS DRAWING IS PROPRIETARY AND SHALL NOT BE USED OR DISCLOSED WITHOUT WRITTEN PERMISSION FROM MICROWAVE COMMUNICATIONS LABORATORIES INC. (MCLI)</small>	CAGE CODE: OD2L5	SIZE: N/A REV: N/A DO NOT SCALE THE DRAWING
<small>THIRD ANGLE PROJECTION</small> 		DWG NO. 84706		