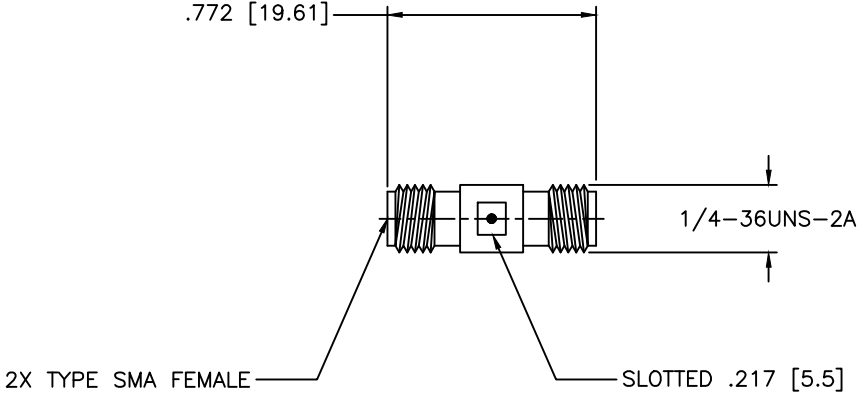


REVISIONS				
ZONE	REV	DESCRIPTION	Date	APPROVED



MATERIAL:	
DRAWN: Paiboon Luekhamhan	DATE: 02-10-2010
APPROVED: T. Nguyen	DATE: 02-10-2010



MICROWAVE COMMUNICATIONS LABORATORIES INC.
7255 30TH AVE. N. SAINT PETERSBURG, FL 33710
TEL: (727) 344-6254 FAX: (727) 381-6116
http://WWW.MCLI.COM

SCALE:	N/A
SHEET:	N/A

UNLESS OTHERWISE SPECIFIED:
TOLERANCES
IN (INCHES) OR [mm] (MILLIMETERS)
FRACTIONS: ± 1/64
DECIMALS: ± .02 ± .015
ANGLE: ± 1/2°

DRAWING TITLE:
SMA JACK TO JACK ADAPTER

PART NO.
ADS-18-JJ

PROPRIETARY NOTICE:
THE INFORMATION IN THIS DRAWING IS PROPRIETARY
AND SHALL NOT BE USED OR DISCLOSED WITHOUT WRITTEN
PERMISSION FROM MICROWAVE COMMUNICATIONS
LABORATORIES INC. (MCLI)
THIRD ANGLE PROJECTION

CAGE CODE:	SIZE:	REV:	DWG NO.
OD2L5	N/A	N/A	84686
DO NOT SCALE THE DRAWING			