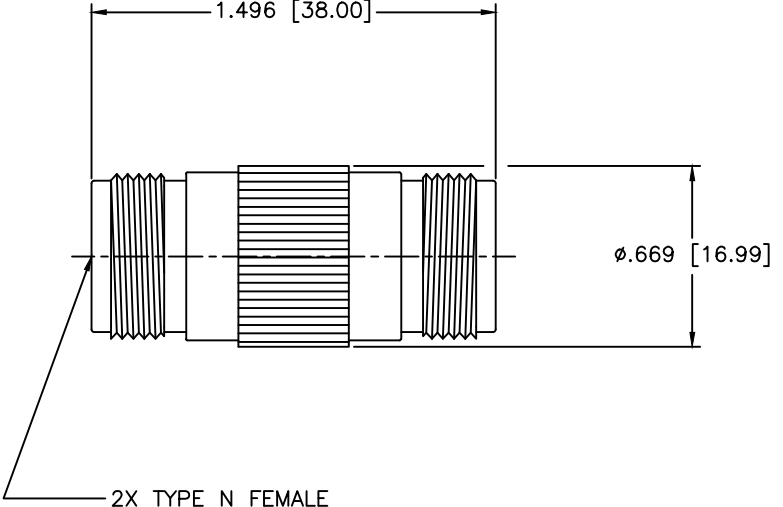


REVISIONS				
ZONE	REV	DESCRIPTION	Date	APPROVED



MATERIAL:			MICROWAVE COMMUNICATIONS LABORATORIES INC. 7255 30TH AVE. N. SAINT PETERSBURG, FL 33710 TEL: (727) 344-6254 FAX: (727) 381-6116 http://WWW.MCLI.COM		SCALE:	N/A	
			UNLESS OTHERWISE SPECIFIED: TOLERANCES IN (INCHES) OR [mm] (MILLIMETERS) FRACTIONS: ± 1/64 DECIMALS: ± .02 ± .015 ANGLE: ± 1/2°	DRAWING TITLE:		SHEET:	N/A
DRAWN:		Paiboon Luekhamhan		DATE:		02-10-2010	
APPROVED:		T. Nguyen		DATE:		02-10-2010	
		<small>PROPRIETARY NOTICE: THE INFORMATION IN THIS DRAWING IS PROPRIETARY AND SHALL NOT BE USED OR DISCLOSED WITHOUT WRITTEN PERMISSION FROM MICROWAVE COMMUNICATIONS LABORATORIES INC. (MCLI)</small>		DRAWING TITLE:		N JACK TO JACK ADAPTER	
		<small>THIRD ANGLE PROJECTION</small> 		PART NO.:		ADN-11-JJ	
		CAGE CODE:		SIZE:		REV:	
		OD2L5		N/A		N/A	
		DO NOT SCALE THE DRAWING		DWG NO.:		84691	