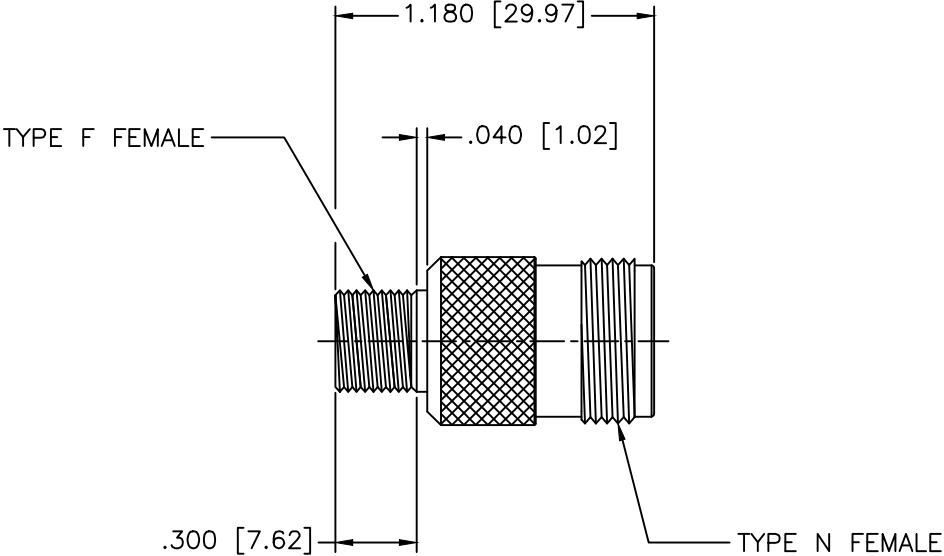


REVISIONS				
ZONE	REV	DESCRIPTION	Date	APPROVED

SPECIFICATIONS:
 Frequency Range: 0–2 GHz
 VSWR: 1.3:1 Max. @2GHz
 Impedance: 75 Ohms
 Operating Temperature: –65°C to +165°C

Mechanical:
 Connectors: Brass, Nickel Plated
 Insulator: Teflon
 Contact: SI Plated, Copper



MATERIAL: BRASS/NICKEL		MICROWAVE COMMUNICATIONS LABORATORIES INC. 7255 30TH AVE. N. SAINT PETERSBURG, FL 33710 TEL: (727) 344-6254 FAX: (727) 381-6116 http://WWW.MCLI.COM	SCALE: N/A
UNLESS OTHERWISE SPECIFIED: TOLERANCES IN (INCHES) OR [mm] (MILLIMETERS) FRACTIONS: ± 1/64 DECIMALS: ±.02 ±.015 ANGLE: ±1/2°			SHEET: N/A
DRAWN: Paiboon Luekhamhan		DRAWING TITLE: F JACK TO N JACK ADAPTER	
DATE: 02-12-2010		PART NO. ADF-02-JJ	
APPROVED: T. Nguyen		DATE: 02-12-2010	
FREQUENCY NOTES: THE INFORMATION IN THIS DRAWING IS PROPRIETARY AND SHALL NOT BE USED OR DISCLOSED WITHOUT WRITTEN PERMISSION FROM MICROWAVE COMMUNICATIONS LABORATORIES INC. (MCLI)		CAGE CODE: OD2L5	SIZE: N/A REV: N/A DWG NO.: 84716
THIRD ANGLE PROJECTION 		DO NOT SCALE THE DRAWING	