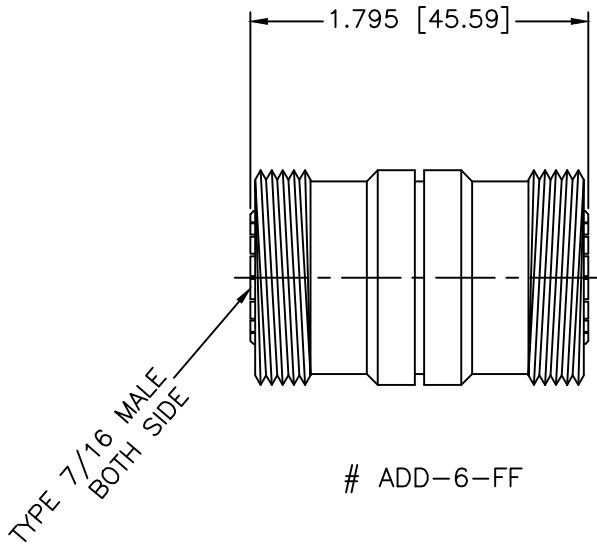
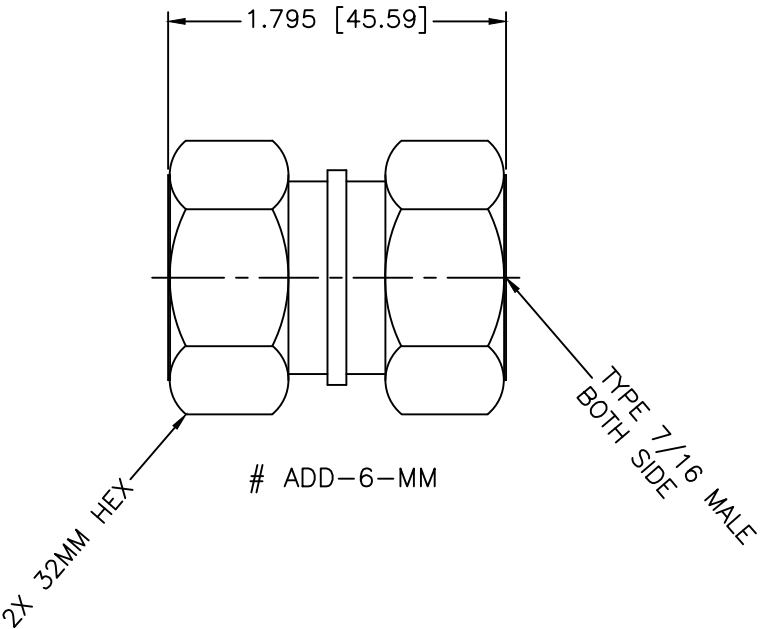


REVISIONS				
ZONE	REV	DESCRIPTION	Date	APPROVED



ADD-6-FF



ADD-6-MM

General Specifications

Frequency: DC-6 GHz
 Impedance: 50 Ohms
 VSWR: 1.15:1 Max. @ 6GHz
 Material Body: Passivated Stianless Steel
 Male Contacts: Brass With Silver Plated
 Female Contacts: Copper With Silver Plated
 Dielectric: Teflon
 Recommended Torque: 220 In-Lbs
 Durability: 500 Cycles Min.
 Operating Temperature: -45°C to +125°C

MATERIAL:		MICROWAVE COMMUNICATIONS LABORATORIES INC. 7255 30TH AVE. N. SAINT PETERSBURG, FL 33710 TEL: (727) 344-6254 FAX: (727) 381-6116 http://WWW.MCLI.COM	SCALE:	N/A
			SHEET:	N/A
UNLESS OTHERWISE SPECIFIED: TOLERANCES IN (INCHES) OR [mm] (MILLIMETERS) FRACTIONS: ± 1/64 DECIMALS: ±.02 ±.015 ANGLE: ±1/2°		DRAWING TITLE: 7-16 DIN ADAPTER		
		PART NO. ADD-6-FF & ADD-6-MM		
DRAWN: Paiboon Luekhamhan	DATE: 08-26-2011	PROPRIETARY NOTICE: THE INFORMATION IN THIS DRAWING IS PROPRIETARY AND SHALL NOT BE USED OR DISCLOSED WITHOUT WRITTEN PERMISSION FROM MICROWAVE COMMUNICATIONS LABORATORIES INC. (MCLI)	CAGE CODE:	OD2L5
APPROVED: T. Nguyen	DATE: 08-26-2011		SIZE: A DO NOT SCALE THE DRAWING	REV: N/A DWG NO.: 85873

