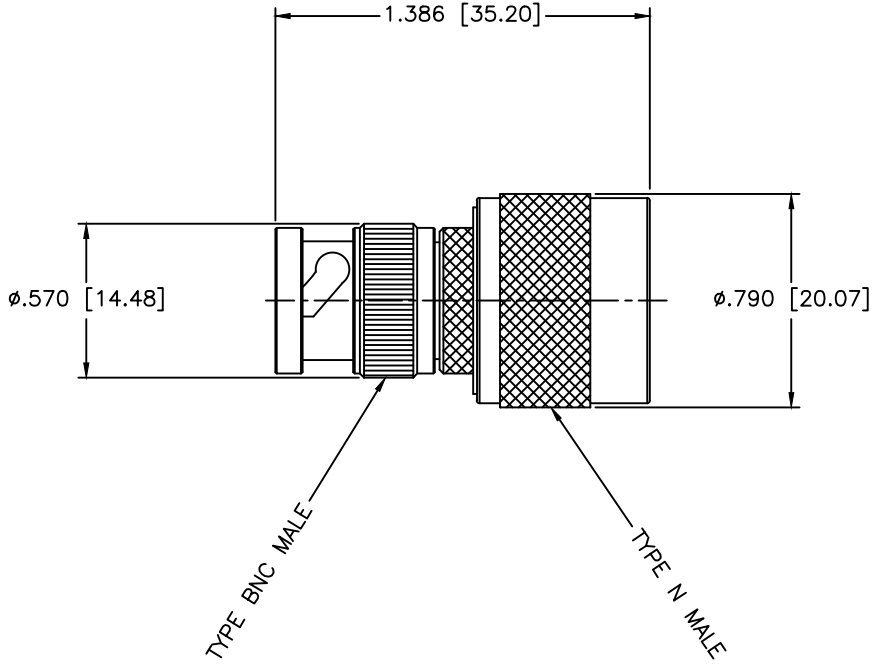


REVISIONS				
ZONE	REV	DESCRIPTION	Date	APPROVED



MATERIAL:			MICROWAVE COMMUNICATIONS LABORATORIES INC. 7255 30TH AVE. N. SAINT PETERSBURG, FL 33710 TEL: (727) 344-6254 FAX: (727) 381-6116 http://WWW.MCLI.COM		SCALE:	N/A
BRASS/NICKEL			UNLESS OTHERWISE SPECIFIED: TOLERANCES IN (INCHES) OR [mm] (MILLIMETERS) FRACTIONS: $\pm 1/64$ DECIMALS: $\pm .02 \pm .015$ ANGLE: $\pm 1/2^\circ$	DRAWING TITLE: ADAPTER, BNC MALE TO TYPE N MALE		SHEET:
DRAWN:	DATE:	<small>PROPRIETARY NOTICE: THE INFORMATION IN THIS DRAWING IS PROPRIETARY AND SHALL NOT BE USED OR DISCLOSED WITHOUT WRITTEN PERMISSION FROM MICROWAVE COMMUNICATIONS LABORATORIES INC. (MCLI)</small> 	PART NO. ADC-04-MM			
Paiboon Luekhamhan	02-12-2010		CAGE CODE:	SIZE:	REV:	DWG NO.
APPROVED:	DATE:	OD2L5	N/A	N/A	84696	
T. Nguyen	02-12-2010	DO NOT SCALE THE DRAWING				