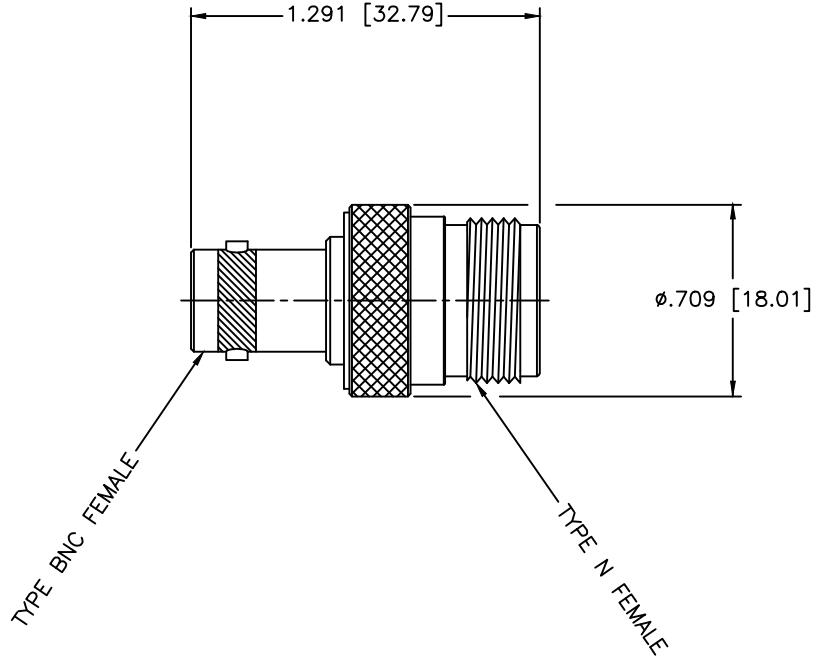


REVISIONS				
ZONE	REV	DESCRIPTION	Date	APPROVED



MATERIAL:  BRASS/NICKEL		<b>MCLI</b> MICROWAVE COMMUNICATIONS LABORATORIES INC. 7255 30TH AVE. N. SAINT PETERSBURG, FL 33710 TEL: (727) 344-6254 FAX: (727) 381-6116 http://WWW.MCLI.COM	SCALE: N/A
UNLESS OTHERWISE SPECIFIED: TOLERANCES IN (INCHES) OR [mm] (MILLIMETERS) FRACTIONS: ± 1/64 DECIMALS: ±.02 ±.015 ANGLE: ±1/2°			DRAWING TITLE: BNC JACK TO N JACK ADAPTER
DRAWN: Paiboon Luekhamhan	DATE: 02-12-2010	PART NO. ADC-04-FF	
APPROVED: T. Nguyen	DATE: 02-12-2010	CAGE CODE: OD2L5	SIZE: N/A REV: N/A DWG NO.: 84698 DO NOT SCALE THE DRAWING

PROPRIETARY NOTICE:  
 THE INFORMATION IN THIS DRAWING IS PROPRIETARY  
 AND SHALL NOT BE USED OR DISCLOSED WITHOUT WRITTEN  
 PERMISSION FROM MICROWAVE COMMUNICATIONS  
 LABORATORIES INC. (MCLI)  
 THIRD ANGLE PROJECTION