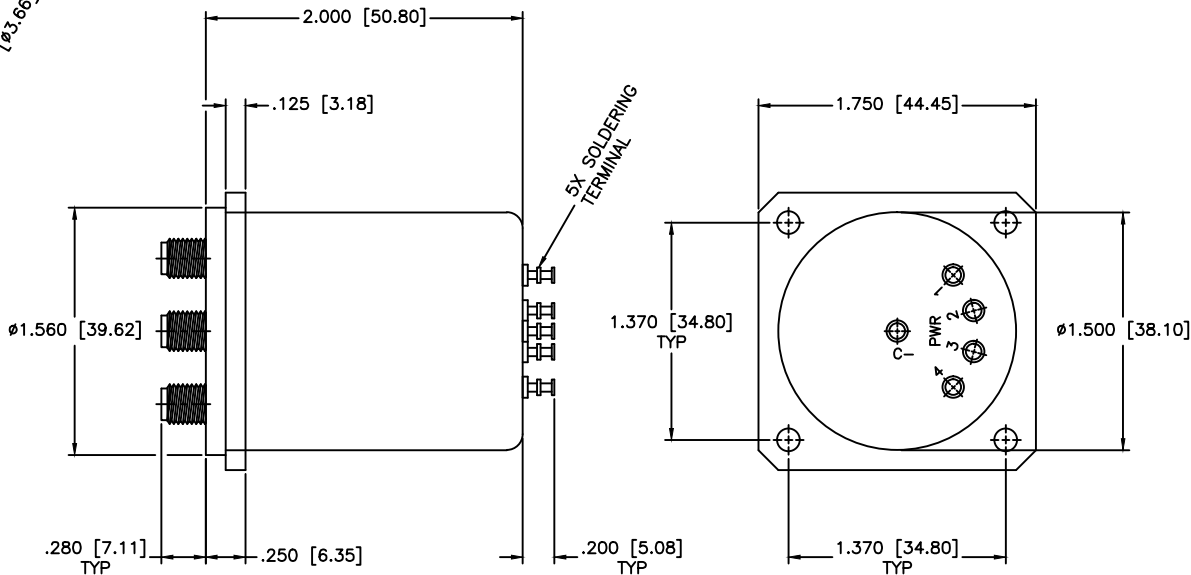
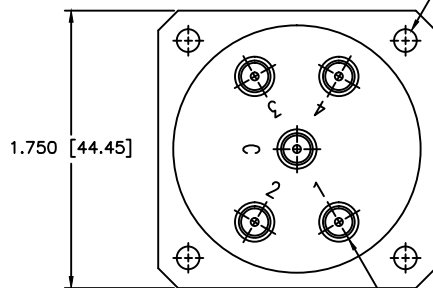
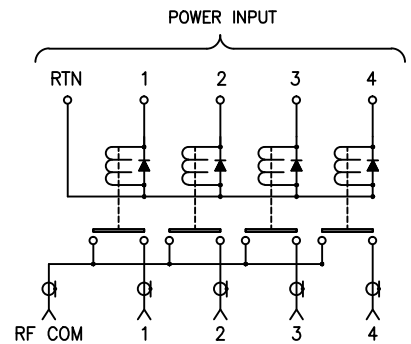


REVISIONS				
ZONE	REV	DESCRIPTION	Date	APPROVED



SPECIFICATIONS

FREQUENCY RANGE: DC-18.0 GHz
 VSWR: 1.50:1 MAX.
 INSERTION LOSS: 0.50dB MAX.
 ISOLATION: 60dB MIN.

MECHANICAL

CONTACT: BREAK BEFORE MAKE
 ACTUATOR: MOMENTARY
 SWITCHING SPEED: 20 mSEC MAX

ELECTRICAL

ACTUATOR VOLTAGE: 28.0 Vdc (22.0-32.0 Vdc)
 ACTUATOR CURRENT: 150mA MAX @ 28.0 Vdc
 POWER HANDLING: 200W CW @ 1.0GHz
 IMPEDANCE: 50 Ohms

ENVIRONMENTAL

OPERATING TEMP: -54°C to +90°C
 SINE VIBRATION: 30 G'S rms
 LIFE: 1,000,000 CYCLES
 RANDOM VIBRATION: 20 G'S rms

5X TYP SMA FEMALE
 4X EQUALLY SPACED AT 60°
 ON Ø1.062 [Ø26.97] B.C.

MATERIAL:	
DRAWN: Paiboon Luengkhamhan	DATE: 02-08-2005
APPROVED: T. Nguyen	DATE: 02-08-2005



MICROWAVE COMMUNICATIONS LABORATORIES INC.
 7255 30TH AVE. N. SAINT PETERSBURG, FL 33710
 TEL: (727) 344-6254 FAX: (727) 381-6116
 http://WWW.MCLI.COM

SCALE:	N/A
SHEET:	N/A

UNLESS OTHERWISE SPECIFIED:
 TOLERANCES
 IN (INCHES) OR [mm] (MILLIMETERS)
 FRACTIONS: ± 1/64
 DECIMALS: ±.02 ±.009
 ANGLE: ±1/2°

DRAWING TITLE: ELECTROMECHANICAL SWITCHES			
PART NO. A4-7-MS			
CAGE CODE: OD2L5	SIZE: N/A	REV: N/A	DWG NO. 82276
DO NOT SCALE THE DRAWING			

PROFESSIONAL ENGINEER
 THE INFORMATION IN THIS DRAWING IS PROPRIETARY
 AND SHALL NOT BE USED OR DISCLOSED WITHOUT WRITTEN
 PERMISSION FROM MICROWAVE COMMUNICATIONS
 LABORATORIES INC. (MCLI)
 THIRD ANGLE PROJECTION