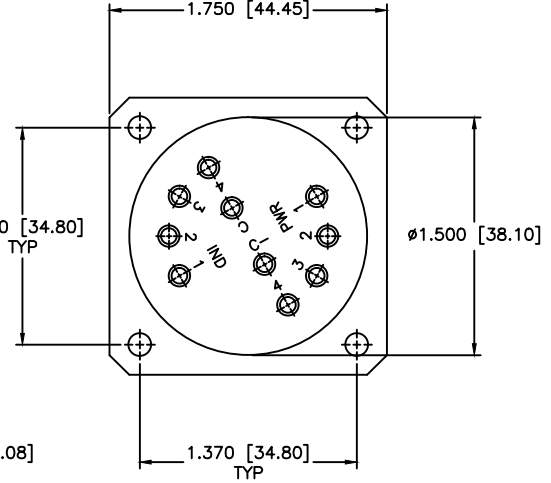
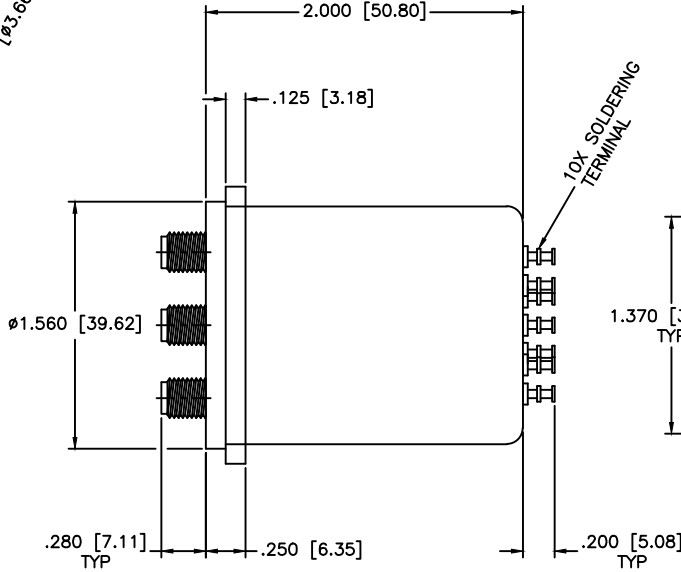
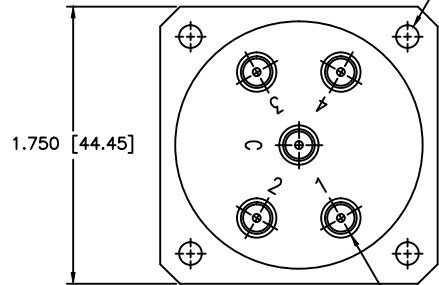
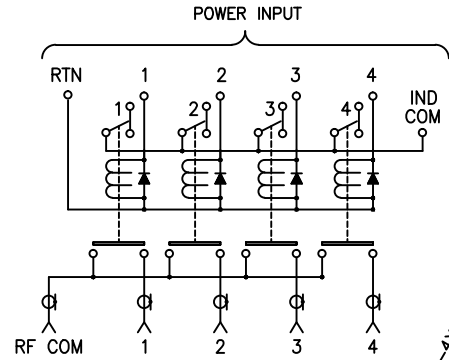


| REVISIONS | | | | |
|-----------|-----|-------------|------|----------|
| ZONE | REV | DESCRIPTION | Date | APPROVED |
| | | | | |



SPECIFICATIONS

FREQUENCY RANGE: DC-4.0 GHz
 VSWR: 1.25:1 MAX.
 INSERTION LOSS: 0.25dB MAX.
 ISOLATION: 80dB MIN.

MECHANICAL

CONTACT: BREAK BEFORE MAKE
 ACTUATOR: MOMENTARY
 SWITCHING SPEED: 20 mSEC MAX

ELECTRICAL

ACTUATOR VOLTAGE: 28.0 Vdc (22.0-32.0 Vdc)
 ACTUATOR CURRENT: 150mA MAX @ 28.0 Vdc
 POWER HANDLING: 200W CW @ 1.0GHz
 IMPEDANCE: 50 Ohms

ENVIRONMENTAL

OPERATING TEMP: -54°C to +90°C
 SINE VIBRATION: 30 G'S rms
 LIFE: 1,000,000 CYCLES
 RANDOM VIBRATION: 20 G'S rms

5X TYP. SMA FEMALE
 4X EQUALLY SPACED AT 60°
 ON Ø1.062 [Ø26.97] B.C.

| | |
|----------------------|------------|
| MATERIAL: | |
| DRAWN: | DATE: |
| Paiboon Luengkhamhan | 04-04-2001 |
| APPROVED: | DATE: |
| T. Nguyen | 04-04-2001 |



MICROWAVE COMMUNICATIONS LABORATORIES INC.
 7255 30TH AVE. N. SAINT PETERSBURG, FL 33710
 TEL: (727) 344-6254 FAX: (727) 381-6116
 http://WWW.MCLI.COM

| | |
|--------|-----|
| SCALE: | N/A |
| SHEET: | N/A |

UNLESS OTHERWISE SPECIFIED:
 TOLERANCES
 IN (INCHES) OR [mm] (MILLIMETERS)
 FRACTIONS: ± 1/64
 DECIMALS: ± 0.02 ± 0.09
 ANGLE: ± 1/2°

| | | | |
|----------------------------|-------|------|----------|
| DRAWING TITLE: | | | |
| ELECTROMECHANICAL SWITCHES | | | |
| PART NO. | | | |
| A4-3-MIS | | | |
| CAGE CODE: | SIZE: | REV: | DWG. NO. |
| OD2L5 | N/A | N/A | 81714 |
| DO NOT SCALE THE DRAWING | | | |

