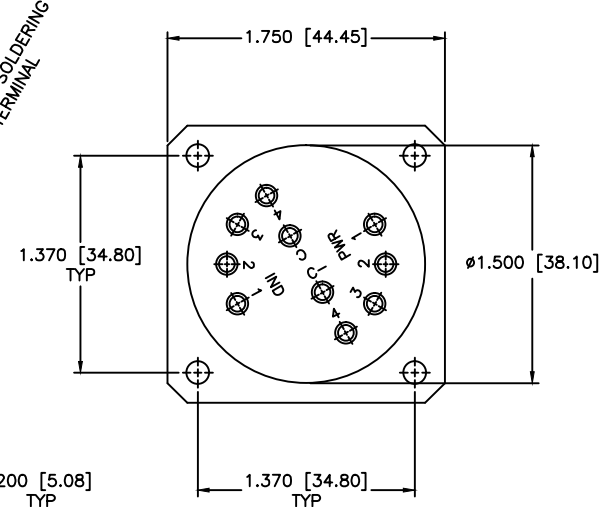
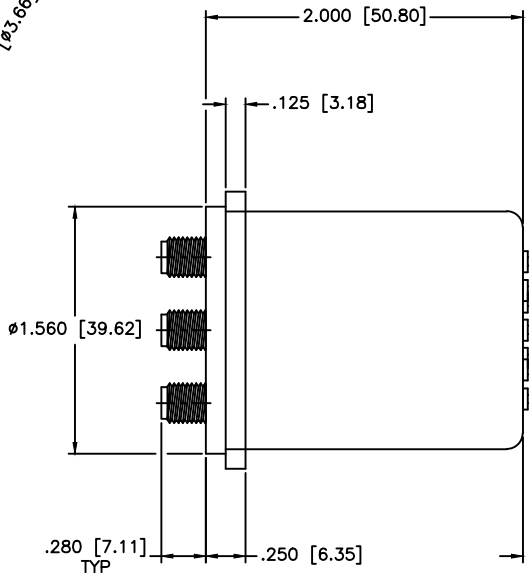
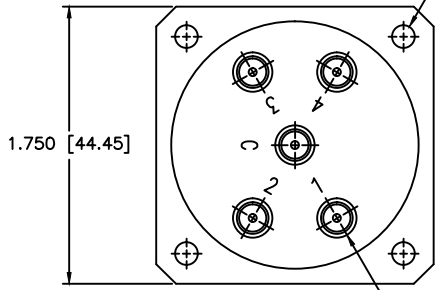
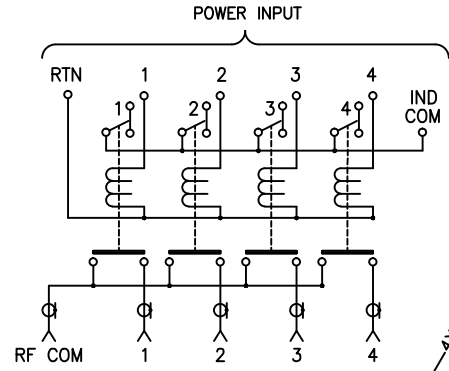


REVISIONS				
ZONE	REV	DESCRIPTION	Date	APPROVED



SPECIFICATIONS

FREQUENCY RANGE: DC-4.0 GHz
 VSWR: 1.25:1 MAX.
 INSERTION LOSS: 0.25dB MAX.
 ISOLATION: 80dB MIN.

MECHANICAL

CONTACT: BREAK BEFORE MAKE
 ACTUATOR: MOMENTARY
 SWITCHING SPEED: 20 mSEC MAX

ELECTRICAL

ACTUATOR VOLTAGE: 28.0 Vdc (22.0-32.0 Vdc)
 ACTUATOR CURRENT: 150mA MAX @ 28.0 Vdc
 POWER HANDLING: 200W CW @ 1.0GHz
 IMPEDANCE: 50 Ohms

ENVIRONMENTAL

OPERATING TEMP: -54°C to +90°C
 SINE VIBRATION: 30 G'S rms
 LIFE: 1,000,000 CYCLES
 RANDOM VIBRATION: 20 G'S rms

5X TYP SMA FEMALE
 4X EQUALLY SPACED AT 60°
 ON Ø1.062 [Ø26.97] B.C.

MATERIAL:	
DRAWN:	DATE:
Paiboon Luengkhamhan	03-28-2001
APPROVED:	DATE:
T. Nguyen	03-28-2001



MICROWAVE COMMUNICATIONS LABORATORIES INC.
 7255 30TH AVE. N. SAINT PETERSBURG, FL 33710
 TEL: (727) 344-6254 FAX: (727) 381-6116
 http://WWW.MCLI.COM

SCALE:	N/A
SHEET:	N/A

UNLESS OTHERWISE SPECIFIED:
 TOLERANCES
 IN (INCHES) OR [mm] (MILLIMETERS)
 FRACTIONS: ± 1/64
 DECIMALS: ± .02 ± .009
 ANGLE: ± 1/2°

DRAWING TITLE:
ELECTROMECHANICAL SWITCHES

PART NO.
A4-3-MI

THIRD ANGLE PROJECTION

CAGE CODE:	SIZE:	REV:	DWG NO.
OD2L5	N/A	N/A	81612
DO NOT SCALE THE DRAWING			