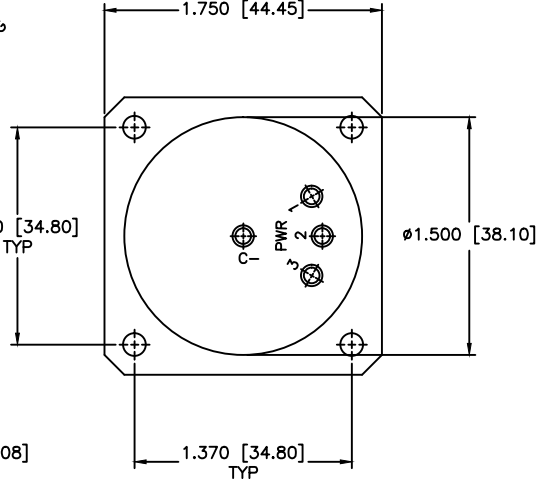
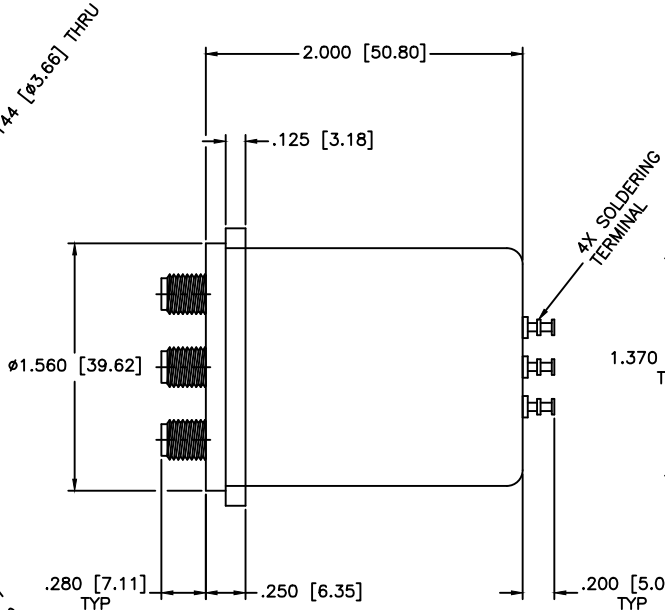
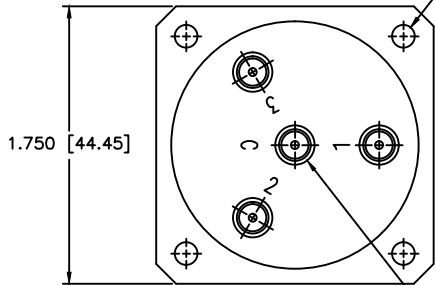
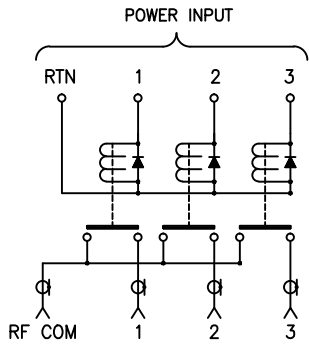


REVISIONS				
ZONE	REV	DESCRIPTION	Date	APPROVED



SPECIFICATIONS

FREQUENCY RANGE: DC-18.0 GHz
 VSWR: 1.50:1 MAX.
 INSERTION LOSS: 0.50dB MAX.
 ISOLATION: 60dB MIN.

MECHANICAL

CONTACT: BREAK BEFORE MAKE
 ACTUATOR: MOMENTARY
 SWITCHING SPEED: 20 mSEC MAX

ELECTRICAL

ACTUATOR VOLTAGE: 28.0 Vdc (22.0-32.0 Vdc)
 ACTUATOR CURRENT: 150mA MAX @ 28.0 Vdc
 POWER HANDLING: 200W CW @ 1.0GHz
 IMPEDANCE: 50 Ohms

ENVIRONMENTAL

OPERATING TEMP: -54°C to +90°C
 SINE VIBRATION: 30 G'S rms
 LIFE: 1,000,000 CYCLES
 RANDOM VIBRATION: 20 G'S rms

4x ϕ 1.144 [28.86] THRU
 4x TYPE SMA FEMALE
 3x EQUALLY SPACED AT 120°
 ON ϕ 1.062 [26.97] B.C.

MATERIAL:	
DRAWN: Paiboon Luekhamhan	DATE: 02-08-2005
APPROVED: T. Nguyen	DATE: 02-08-2005



MICROWAVE COMMUNICATIONS LABORATORIES INC.
 7255 30TH AVE. N. SAINT PETERSBURG, FL 33710
 TEL: (727) 344-6254 FAX: (727) 381-6116
 http://WWW.MCLI.COM

SCALE:	N/A
SHEET:	N/A

UNLESS OTHERWISE SPECIFIED:
 TOLERANCES
 IN (INCHES) OR [mm] (MILLIMETERS)
 FRACTIONS: \pm 1/64
 DECIMALS: \pm .02 \pm .009
 ANGLE: \pm 1/2°

DRAWING TITLE:
ELECTROMECHANICAL SWITCHES

PART NO.
A3-7-MS

PROPRIETARY NOTICE:
 THE INFORMATION IN THIS DRAWING IS PROPRIETARY
 AND SHALL NOT BE USED OR DISCLOSED WITHOUT WRITTEN
 PERMISSION FROM MICROWAVE COMMUNICATIONS
 LABORATORIES INC. (MCLI)
 THIRD ANGLE PROJECTION

CAGE CODE: OD2L5	SIZE: N/A	REV: N/A	DWG NO. 82279
DO NOT SCALE THE DRAWING			