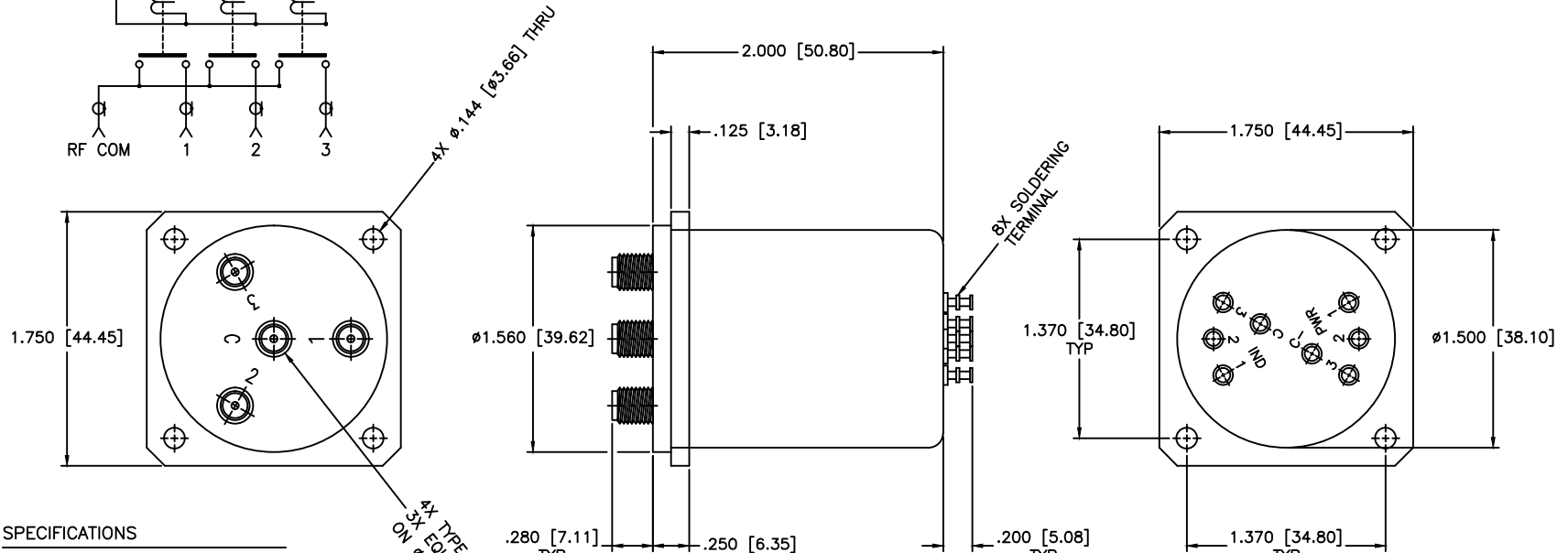
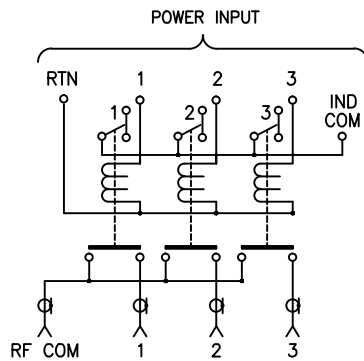


REVISIONS				
ZONE	REV	DESCRIPTION	Date	APPROVED



**SPECIFICATIONS**

FREQUENCY RANGE: DC-18.0 GHz  
 VSWR: 1.50:1 MAX.  
 INSERTION LOSS: 0.50dB MAX.  
 ISOLATION: 60dB MIN.

**MECHANICAL**

CONTACT: BREAK BEFORE MAKE  
 ACTUATOR: MOMENTARY  
 SWITCHING SPEED: 20 mSEC MAX

**ELECTRICAL**

ACTUATOR VOLTAGE: 12±3.0 Vdc  
 ACTUATOR CURRENT: 250mA MAX @ 12.0 Vdc  
 POWER HANDLING: 200W CW @ 1.0GHz  
 IMPEDANCE: 50 Ohms

**ENVIRONMENTAL**

OPERATING TEMP: -54°C to +90°C  
 SINE VIBRATION: 30 G'S rms  
 LIFE: 1,000,000 CYCLES  
 RANDOM VIBRATION: 20 G'S rms

4X TYPE SMA FEMALE  
 3X EQUALLY SPACED AT 120°  
 ON Ø1.062 [26.97] B.C.

MATERIAL:	
DRAWN: Paiboon Luengkhamhan	DATE: 03-17-2011
APPROVED: T. Nguyen	DATE: 03-17-2011



MICROWAVE COMMUNICATIONS LABORATORIES INC.  
 7255 30TH AVE. N. SAINT PETERSBURG, FL 33710  
 TEL: (727) 344-6254 FAX: (727) 381-6116  
 http://WWW.MCLI.COM

SCALE:	N/A
SHEET:	N/A

UNLESS OTHERWISE SPECIFIED:  
 TOLERANCES  
 IN (INCHES) OR [mm] (MILLIMETERS)  
 FRACTIONS: ± 1/64  
 DECIMALS: ± 0.02 ± 0.009  
 ANGLE: ± 1/2°

DRAWING TITLE:  
**ELECTROMECHANICAL SWITCHES**

PART NO.  
**A3-7-MI/12**

THIRD ANGLE PROJECTION

CAGE CODE: OD2L5	SIZE: N/A	REV: N/A	DWG. NO. 85583
DO NOT SCALE THE DRAWING			