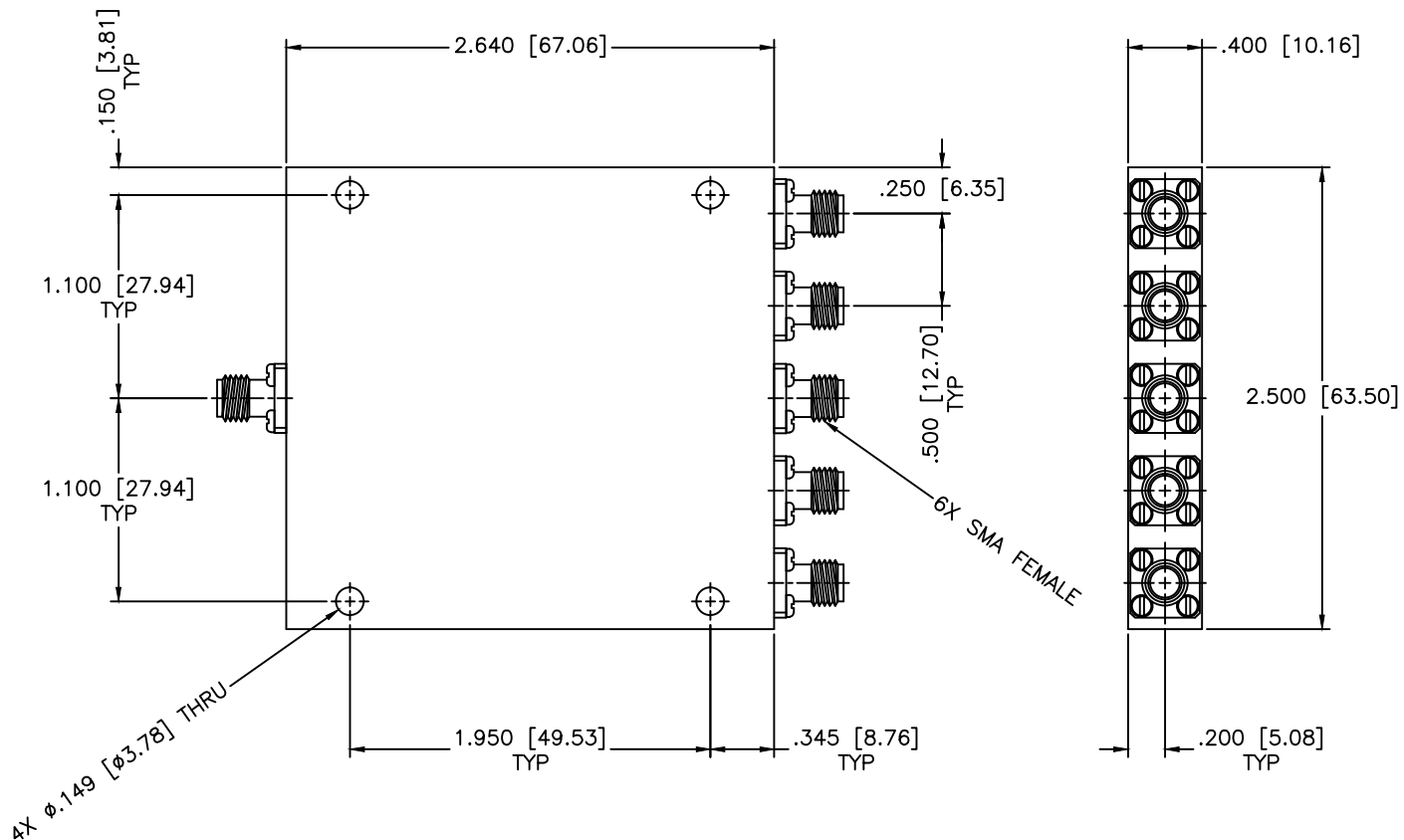


REVISIONS				
ZONE	REV	DESCRIPTION	Date	APPROVED



4X ϕ .149 [ϕ 3.78] THRU

SPECIFICATIONS

Frequency Range: 5–18 GHz
 Insertion Loss: 3.4dB Max.
 Isolation: 11dB Min.
 VSWR: 1.90:1 Max.
 Amplitude Balance: \pm 2dB Max.
 Input Power: 10W (Load vswr @ 1.2)

MATERIAL:	
DRAWN: Paiboon Luekhamhan	DATE: 01-11-2012
APPROVED: T. Nguyen	DATE: 01-11-2012



MICROWAVE COMMUNICATIONS LABORATORIES INC.
 7255 30TH AVE. N. SAINT PETERSBURG, FL 33710
 TEL: (727) 344-6254 FAX: (727) 381-6116
 http://WWW.MCLI.COM

SCALE:	N/A
SHEET:	N/A

UNLESS OTHERWISE SPECIFIED:
 TOLERANCES
 IN (INCHES) OR (mm) (MILLIMETERS)
 FRACTIONS: \pm 1/64
 DECIMALS: \pm .02 \pm .008
 ANGLE: \pm 1/2

DRAWING TITLE: 5-WAY POWER DIVIDER			
PART NO. PS5-10			
CAGE CODE: OD2L5	SIZE: A	REV: A	DWG NO. 82667
DO NOT SCALE THE DRAWING			

PROPRIETARY NOTICE:
 THE INFORMATION IN THIS DRAWING IS PROPRIETARY
 AND SHALL NOT BE USED OR DISCLOSED WITHOUT WRITTEN
 PERMISSION FROM MICROWAVE COMMUNICATIONS
 LABORATORIES INC. (MCLI)

