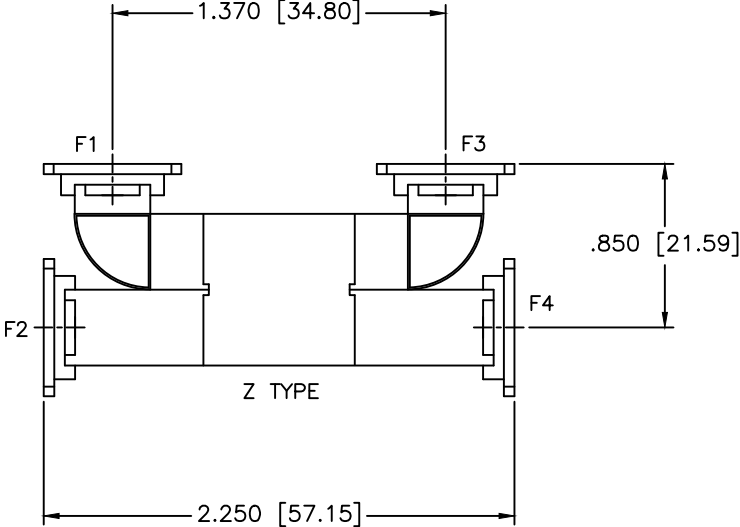

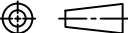


REVISIONS				
ZONE	REV	DESCRIPTION	Date	APPROVED



GENERAL SPECIFICATIONS

Frequency Range: 30–34 GHz
 Waveguide Size: WR28
 Flange Type: UG Cover (F1 to F4)
 Isolation: 26dB Min.
 VSWR: 1.15:1 Max.
 Balance: ±0.25dB Max.

MATERIAL:		 MCLI MICROWAVE COMMUNICATIONS LABORATORIES INC. 7255 30TH AVE. N. SAINT PETERSBURG, FL 33710 TEL: (727) 344-6254 FAX: (727) 381-6116 http://WWW.MCLI.COM	SCALE:	N/A
			SHEET:	N/A
DRAWN: Paibon luekhamhan		DATE: 01-19-2016	DRAWING TITLE: WAVEGUIDE HYBRID COMBINERS & DIVIDERS	
APPROVED: T. Nguyen		DATE: 01-19-2016	PART NO. W40A-28-6666-Z	
<small>UNLESS OTHERWISE SPECIFIED: TOLERANCES IN (INCHES) OR [mm] (MILLIMETERS) FRACTIONS: ± 1/64 DECIMALS: ± .02 ± .009 ANGLE: ± 1/2°</small>		<small>PROPRIETARY NOTICE: THE INFORMATION IN THIS DRAWING IS PROPRIETARY AND SHALL NOT BE USED OR DISCLOSED WITHOUT WRITTEN PERMISSION FROM MICROWAVE COMMUNICATIONS LABORATORIES INC. (MCLI)</small>	CAGE CODE: OD2L5	SIZE: A REV: N/A DO NOT SCALE THE DRAWING
		<small>THIRD ANGLE PROJECTION</small> 	DWG NO. 86603	