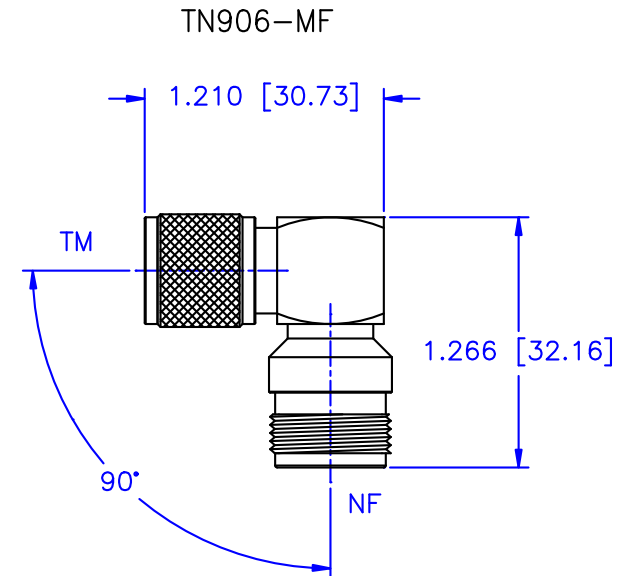
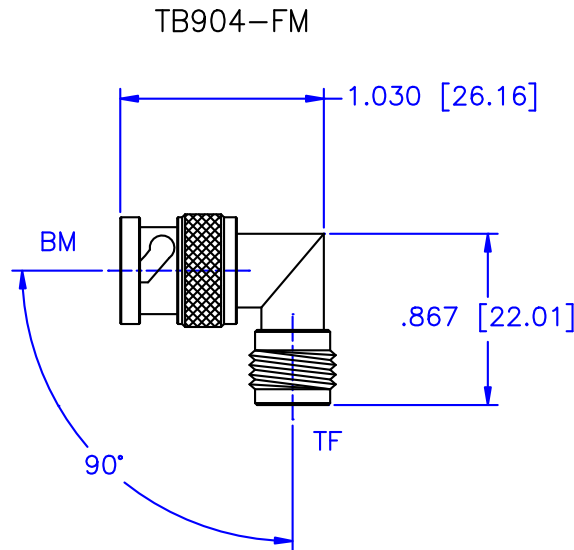
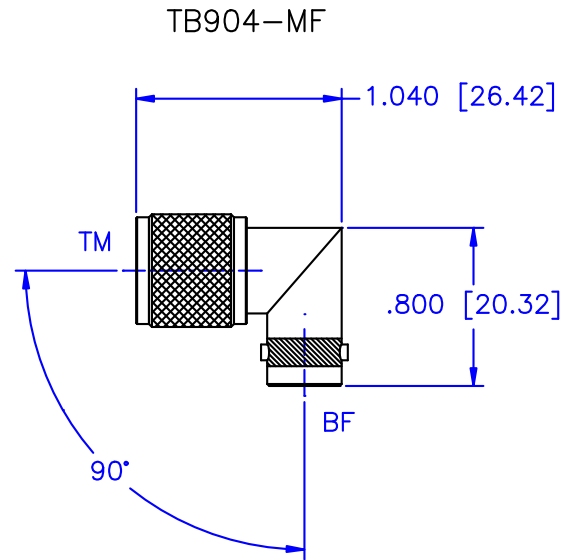


REVISIONS				
ZONE	REV	DESCRIPTION	Date	APPROVED



Specifications

Frequency: DC-4 GHz (DC-6 GHz For TN906-MF)
 Impedance: 50 Ohms
 VSWR: 1.25:1 Max. @ 4GHz

Mechanical

Material Body: Nickel Plated Brass
 Material Contacts: Gold Plated MIL-G-45204
 Dielectric: Teflon
 Interface: MIL-STD-348A

MATERIAL:		MICROWAVE COMMUNICATIONS LABORATORIES INC. 7255 30TH AVE. N. SAINT PETERSBURG, FL 33710 TEL: (727) 344-6254 FAX: (727) 381-6116 http://WWW.MCLI.COM	SCALE:	N/A
			SHEET:	N/A
DRAWING TITLE:		TNC CROSS SERIES ADAPTER, 90° ANGLE		
PART NO.:		TB904-MF, TB904-FM, TN906-MF		
UNLESS OTHERWISE SPECIFIED: TOLERANCES IN (INCHES) OR [mm] (MILLIMETERS) FRACTIONS: ± 1/64 DECIMALS: ±.02 ±.015 ANGLE: ±1/2°		CAGE CODE:	SIZE: A	REV: N/A
DRAWN:	DATE:		DWG NO. 85870	
APPROVED:	DATE:		DO NOT SCALE THE DRAWING	