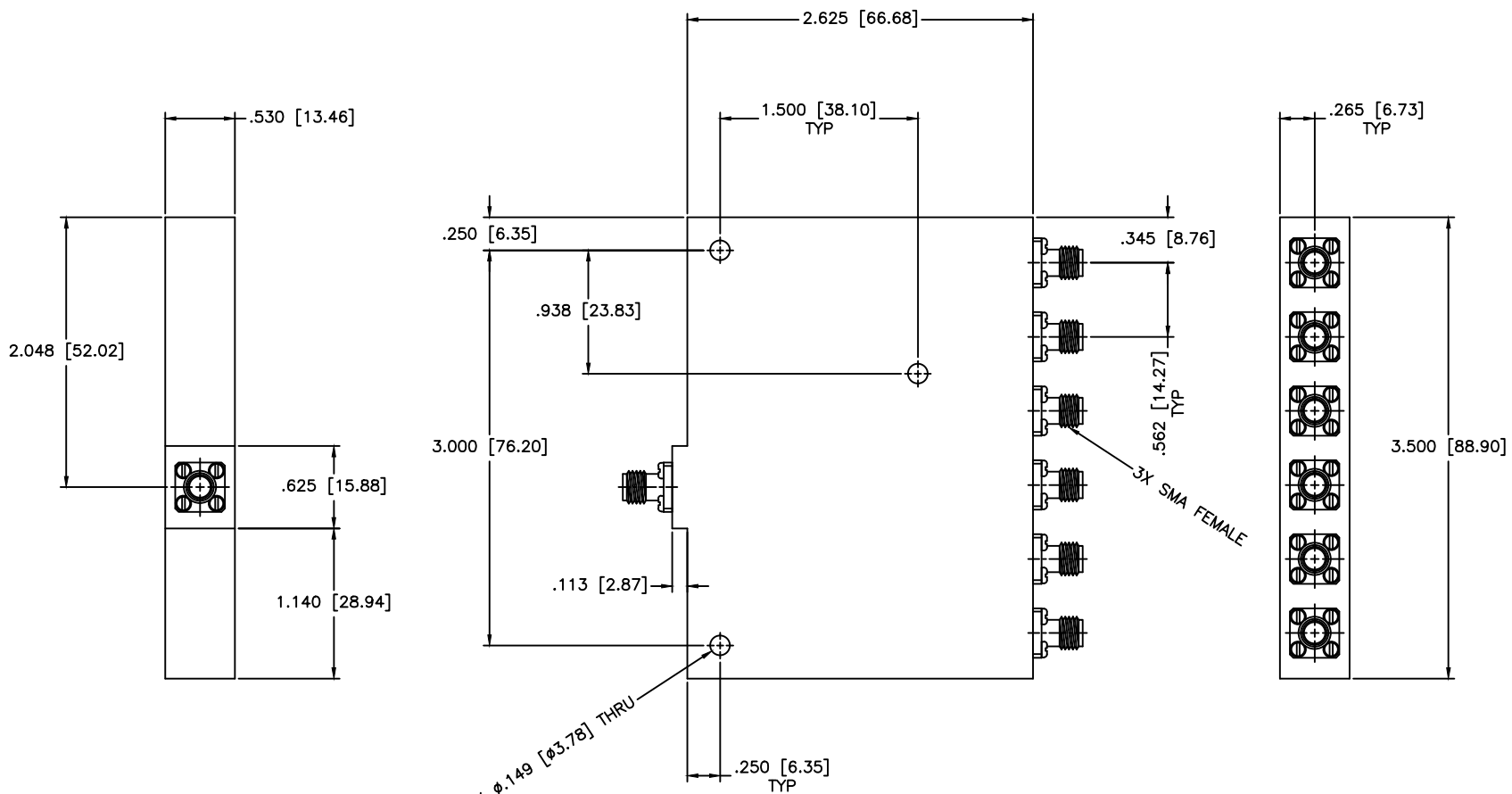


REVISIONS				
ZONE	REV	DESCRIPTION	DATE	APPROVED



SPECIFICATIONS

Frequency Range: 1.9–2 GHz
 Insertion Loss: 1.7dB Max.
 Isolation: 17dB Min.
 Phase Balance: ±10° Deg. Max.
 Amplitude Balance: ±1.75dB Max.
 VSWR IN/OUT: 1.50:1/1.50:1 Max.
 Input Power: 20W (Load vswr @ 1.2)

MATERIAL:	
DRAWN: Paiboon Luekhamhan	DATE: 01-28-2008
APPROVED: T. Nguyen	DATE: 01-28-2002

MCLI MICROWAVE COMMUNICATIONS LABORATORIES INC.
 7255 30TH AVE. N. SAINT PETERSBURG, FL 33710
 TEL: (727) 344-6254 FAX: (727) 381-6116
 http://WWW.MCLI.COM

UNLESS OTHERWISE SPECIFIED: TOLERANCES IN (INCHES) OR [mm] (MILLIMETERS) FRACTIONS: ± 1/64 DECIMALS: ±.01 ±.005 ANGLE: ±1/2°	DRAWING TITLE: 6-WAY POWER DIVIDER	SCALE: N/A
PROPERTY NOTICE: THE INFORMATION IN THIS DRAWING IS PROPRIETARY AND SHALL NOT BE USED OR DISCLOSED WITHOUT WRITTEN PERMISSION FROM MICROWAVE COMMUNICATIONS LABORATORIES, INC. (MCLI)	PART NO. PS6-15-G554061-1	SHEET: N/A
THIRD ANGLE PROJECTION	CAGE CODE: OD2L5	SIZE: A
	DO NOT SCALE THE DRAWING	REV: N/A
		DWG NO. 81910