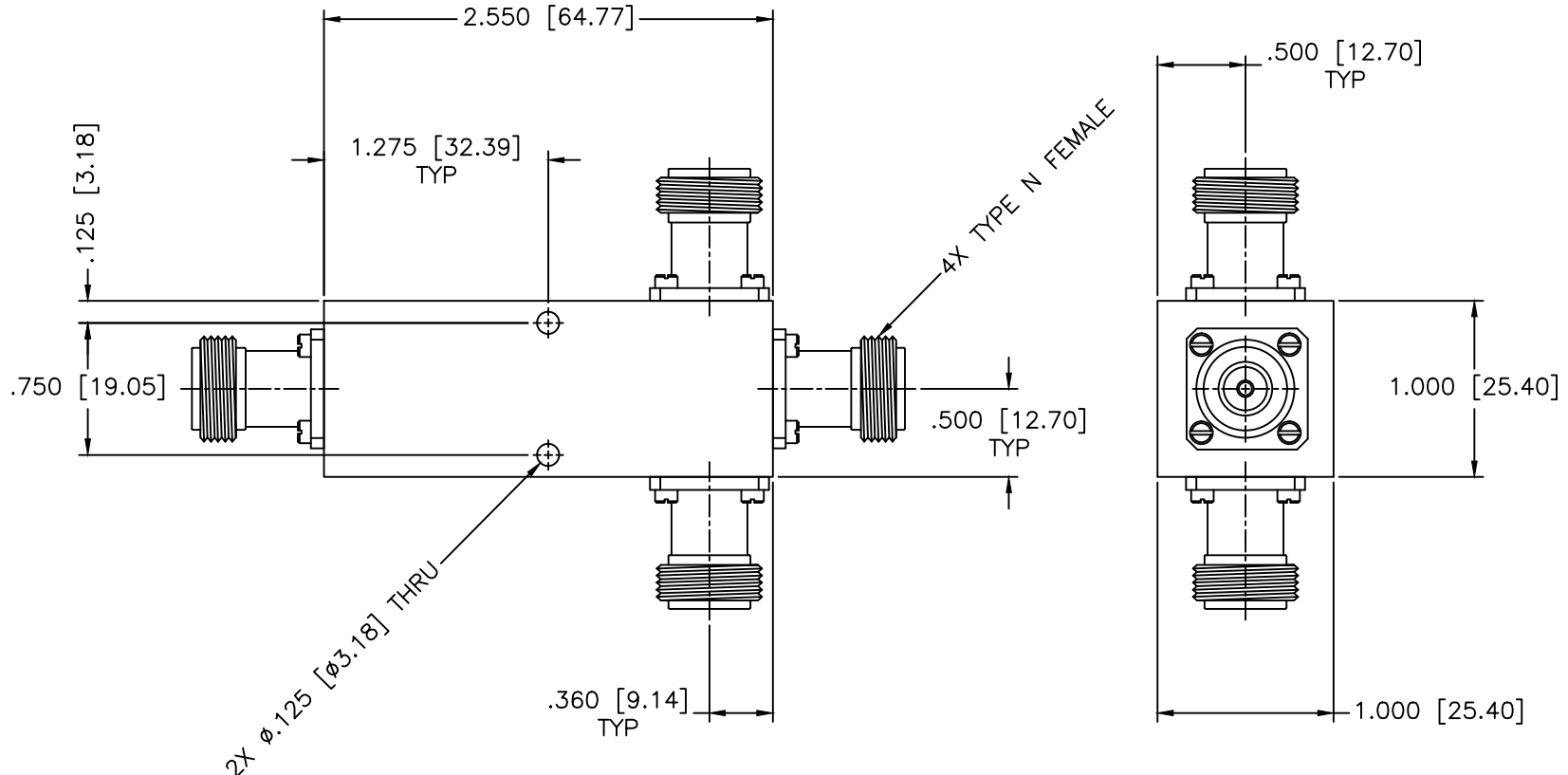


REVISIONS				
ZONE	REV	DESCRIPTION	DATE	APPROVED



SPECIFICATIONS

Frequency Range: 2–6GHz
 Insertion Loss: 0.9dB Max.
 Isolation: 17dB Min.
 Power: 10W (Load VSWR @1.2)
 Amplitude Balance: ±0.4dB Max.
 VSWR: 1.50:1 Max.

MATERIAL:			MICROWAVE COMMUNICATIONS LABORATORIES INC. 7255 30TH AVE. N. SAINT PETERSBURG, FL 33710 TEL: (727) 344-6254 FAX: (727) 381-6116 http://WWW.MCLI.COM		SCALE:	N/A
UNLESS OTHERWISE SPECIFIED: TOLERANCES IN (INCHES) OR [mm] (MILLIMETERS) FRACTIONS: ± 1/64 DECIMALS: ±.01 ±.005 ANGLE: ±1/2°			DRAWING TITLE:		SHEET:	
DRAWN:		PART NO.		3-WAY POWER DIVIDER		
DATE:		CAGE CODE:		PS3-3/NF		
APPROVED:		SIZE:		DWG NO.		
T. Nguyen		A		80102		
DATE:		REV:		DO NOT SCALE THE DRAWING		
06-29-1999		N/A				
THIRD ANGLE PROJECTION		OD2L5				