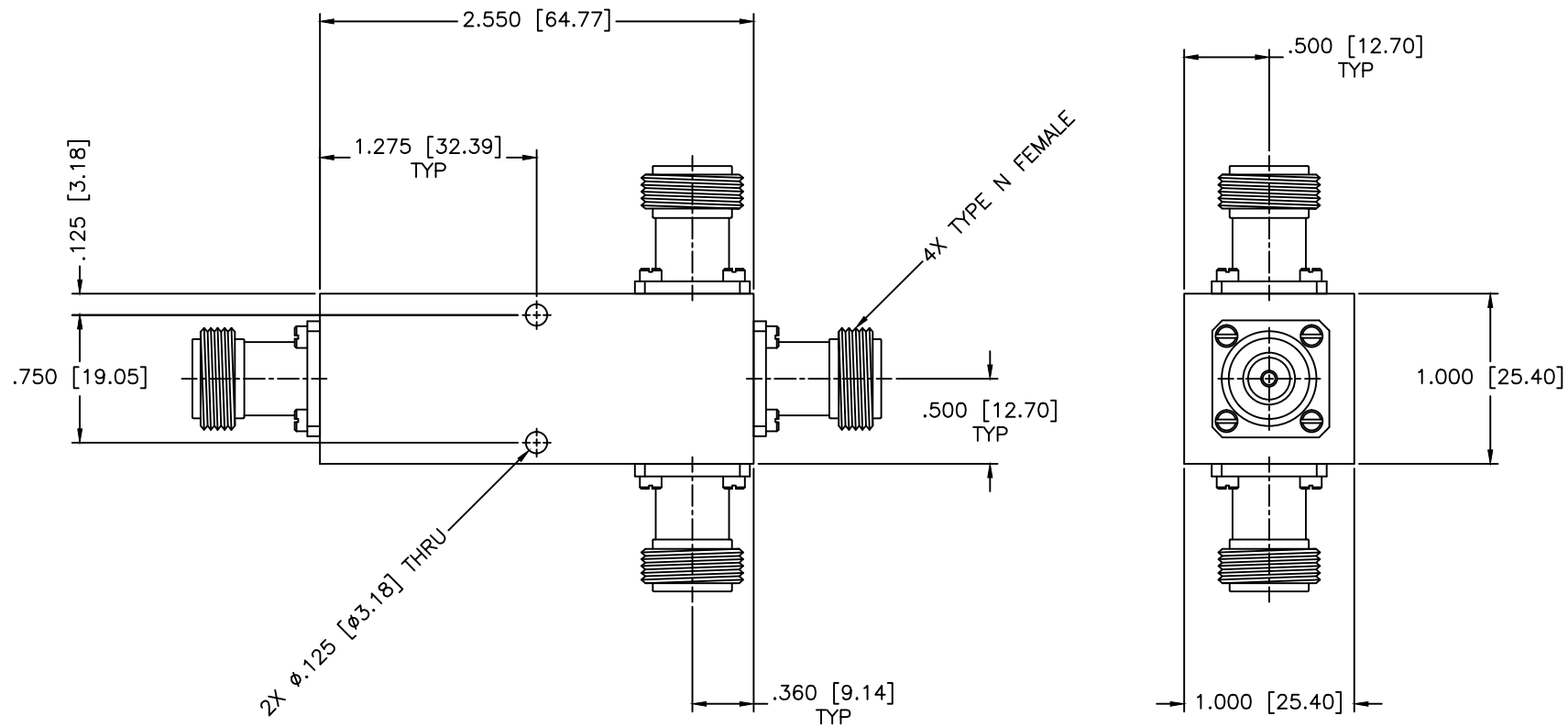


REVISIONS				
ZONE	REV	DESCRIPTION	DATE	APPROVED



SPECIFICATIONS

Frequency Range: 3.625–6.4 GHz
 Insertion Loss: 1.4dB Max.
 Isolation: 17dB Min.
 VSWR Input/Output: 1.45:1/1.45:1 Max.
 Phase Balance: ±8 Deg. Max.
 Amplitude Balance: ±0.3dB Max.
 Power: 20W (Load vswr@1.2)

MATERIAL:			MICROWAVE COMMUNICATIONS LABORATORIES INC. 7255 30TH AVE. N. SAINT PETERSBURG, FL 33710 TEL: (727) 344-6254 FAX: (727) 381-6116 http://WWW.MCLI.COM		SCALE: N/A
UNLESS OTHERWISE SPECIFIED: TOLERANCES IN (INCHES) OR [mm] (MILLIMETERS) FRACTIONS: ± 1/64 DECIMALS: ±.01 ±.005 ANGLE: ±1/2°			DRAWING TITLE: 3-WAY POWER DIVIDER		SHEET:
DRAWN: Paiboon Luekhamhan		DATE: 06-29-1999		PART NO. PS3-24/NF	
APPROVED: T. Nguyen		DATE: 06-29-1999		CAGE CODE: OD2L5	SIZE: A REV: N/A DWG NO.: 81335
PROPRIETARY NOTICE: THE INFORMATION IN THIS DRAWING IS PROPRIETARY AND SHALL NOT BE USED OR DISCLOSED WITHOUT WRITTEN PERMISSION FROM MICROWAVE COMMUNICATIONS LABORATORIES INC. (MCLI)		THIRD ANGLE PROJECTION 		DO NOT SCALE THE DRAWING	