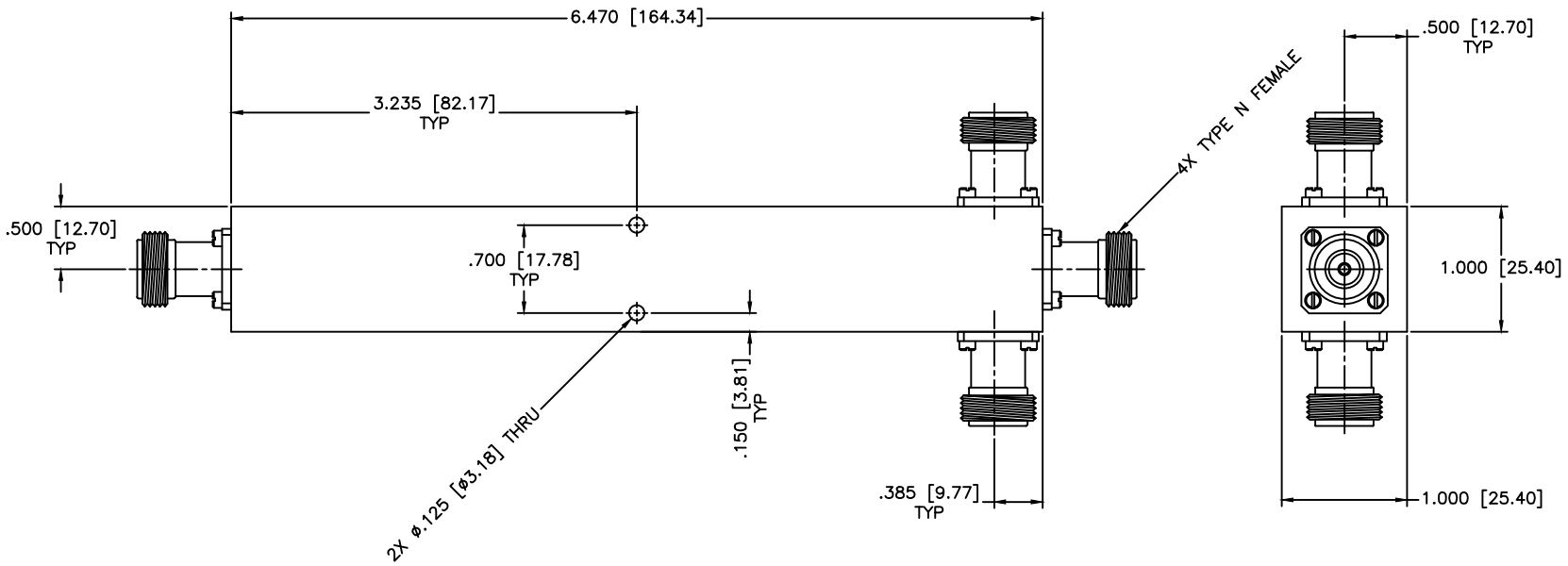


REVISIONS				
ZONE	REV	DESCRIPTION	Date	APPROVED



**SPECIFICATIONS**

Frequency Range: 1–3 GHz  
 Insertion Loss: 0.9dB Max.  
 Isolation: 14dB Min.  
 VSWR Input/Output: 1.45:1/1.40:1 Max.  
 Phase Balance: ±8 Deg. Max.  
 Amplitude Balance: ±0.3dB Max.  
 Power: 10W (Load vswr@1.2)

MATERIAL:		<b>MCLI</b> MICROWAVE COMMUNICATIONS LABORATORIES INC. 7255 30TH AVE. N. SAINT PETERSBURG, FL 33710 TEL: (727) 344-6254 FAX: (727) 381-6116 http://WWW.MCLI.COM	SCALE:	N/A
			SHEET:	N/A
UNLESS OTHERWISE SPECIFIED: TOLERANCES IN (INCHES) OR [mm] (MILLIMETERS) FRACTIONS: ± 1/64 DECIMALS: ±.01 ±.005 ANGLE: ±1/2°		DRAWING TITLE: <b>3-WAY POWER DIVIDER</b>		
DRAWN: Paiboon Luekhamhan		PART NO. <b>PS3-23/NF</b>		
DATE: 07-31-2007	PROPRIETARY NOTICE: THE INFORMATION IN THIS DRAWING IS PROPRIETARY AND SHALL NOT BE USED OR DISCLOSED WITHOUT WRITTEN PERMISSION FROM MICROWAVE COMMUNICATIONS LABORATORIES INC. (MCLI)	CAGE CODE: <b>OD2L5</b>	SIZE: N/A	REV: N/A
APPROVED: T. Nguyen	DATE: 07-31-2007	DO NOT SCALE THE DRAWING		DWG NO. <b>82877</b>