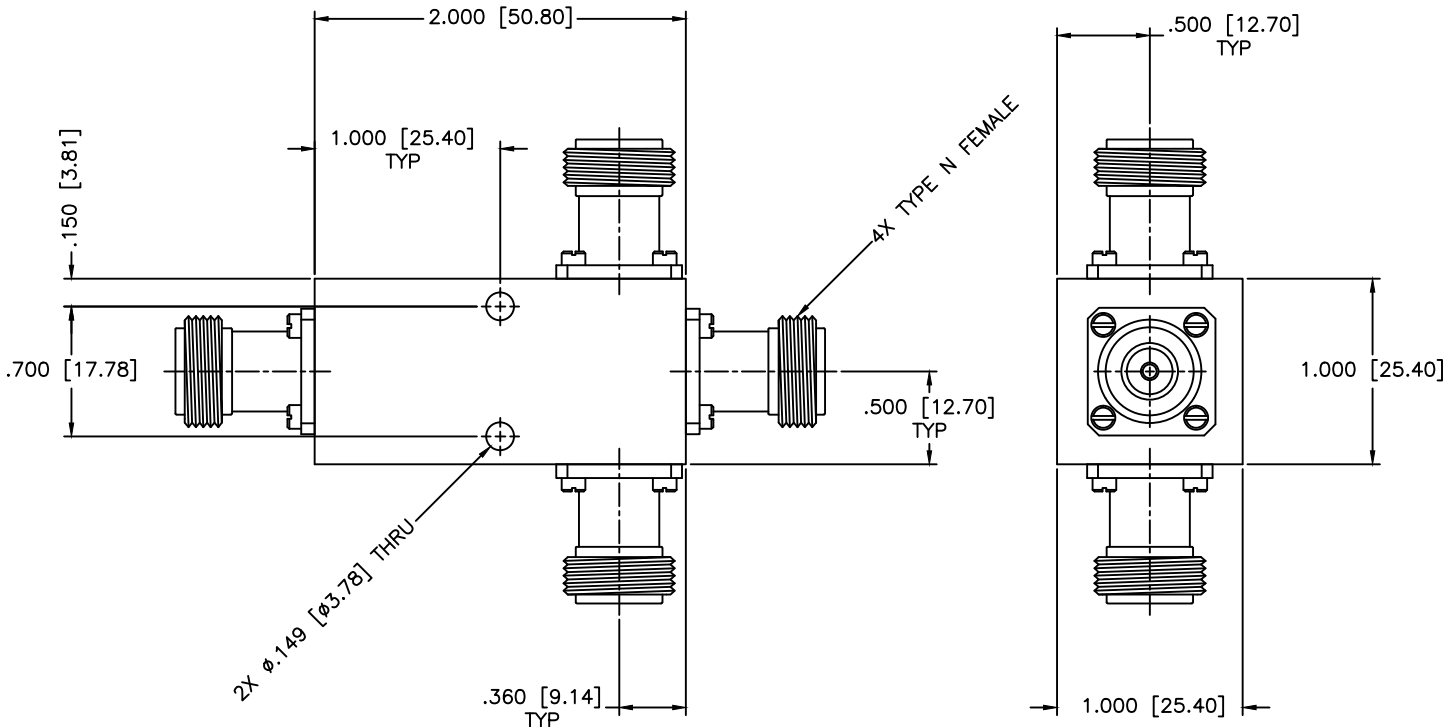


REVISIONS				
ZONE	REV	DESCRIPTION	DATE	APPROVED



SPECIFICATIONS

Frequency Range: 7.2–8.5 GHz
 Insertion Loss: 0.8dB Max.
 Isolation: 16dB Min.
 VSWR Input/Output: 1.50:1/1.40:1 Max.
 Amplitude Balance: 0.3dB Max.
 Power: 20W (Load vswr@1.2)

MATERIAL:			MICROWAVE COMMUNICATIONS LABORATORIES INC. 7255 30TH AVE. N. SAINT PETERSBURG, FL 33710 TEL: (727) 344-6254 FAX: (727) 381-6116 http://WWW.MCLI.COM		SCALE: N/A
UNLESS OTHERWISE SPECIFIED: TOLERANCES IN (INCHES) OR [mm] (MILLIMETERS) FRACTIONS: ± 1/64 DECIMALS: ±.01 ±.005 ANGLE: ±1/2°			DRAWING TITLE: 3-WAY POWER DIVIDER		SHEET:
DRAWN: Paiboon Luekhamhan		DATE: 10-21-1997		PART NO. PS3-18/NF	
APPROVED: T. Nguyen		DATE: 10-21-1997		CAGE CODE: OD2L5	SIZE: A REV: N/A DWG NO.: 80107 DO NOT SCALE THE DRAWING

PROPRIETARY NOTICE:
 THE INFORMATION IN THIS DRAWING IS PROPRIETARY
 AND SHALL NOT BE USED OR DISCLOSED WITHOUT WRITTEN
 PERMISSION FROM MICROWAVE COMMUNICATIONS
 LABORATORIES INC. (MCLI)

