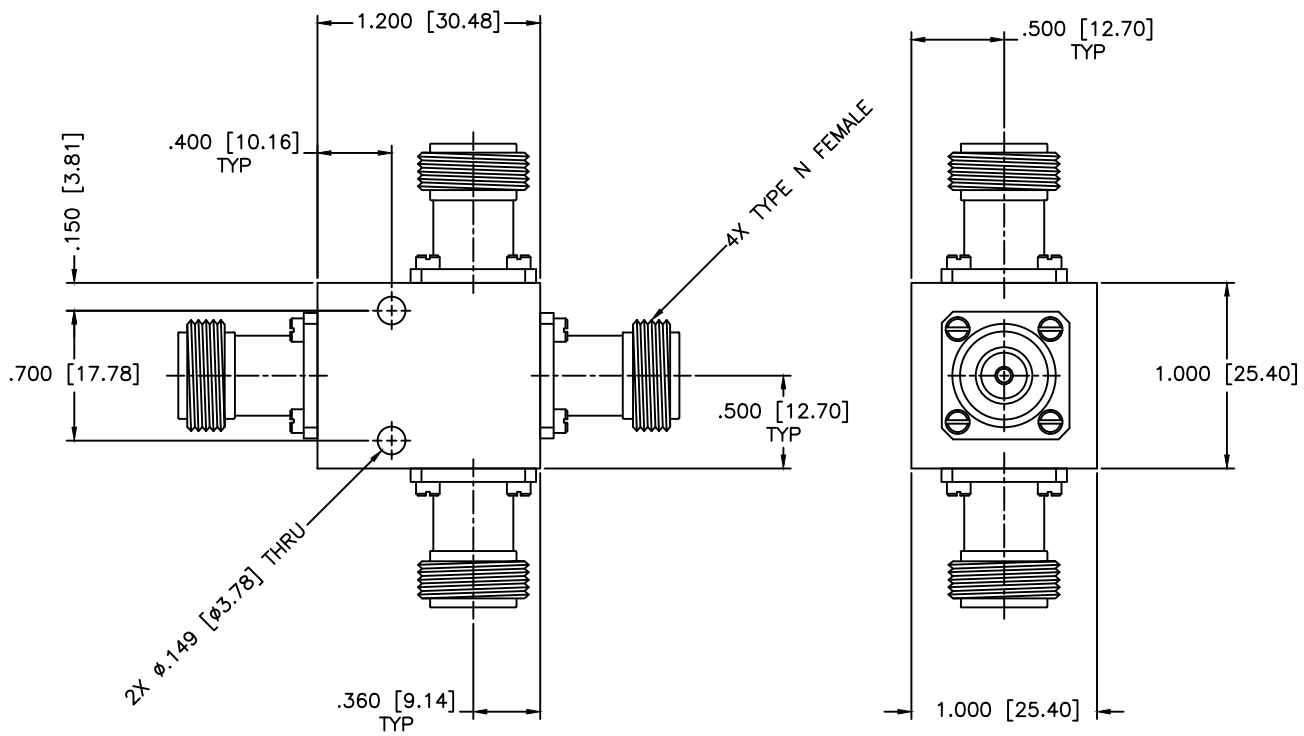


| REVISIONS | | | | |
|-----------|-----|-------------|------|----------|
| ZONE | REV | DESCRIPTION | DATE | APPROVED |



SPECIFICATIONS

Frequency Range: 12-14 GHz
 Insertion Loss: 1.3dB Max.
 Isolation: 13dB Min.
 VSWR Input/Output: 1.80:1/1.70:1 Max.
 Amplitude Balance: 0.7dB Max.
 Power: 20W (Load vswr@1.2)

| | | | | | |
|---|--|----------------------------|--|--------------------------|--------------------------------------|
| MATERIAL: | | | MICROWAVE COMMUNICATIONS LABORATORIES INC. 7255 30TH AVE. N. SAINT PETERSBURG, FL 33710 TEL: (727) 344-6254 FAX: (727) 381-6116 http://WWW.MCLI.COM | | SCALE: N/A |
| UNLESS OTHERWISE SPECIFIED: TOLERANCES IN (INCHES) OR [mm] (MILLIMETERS) FRACTIONS: ± 1/64 DECIMALS: ±.01 ±.005 ANGLE: ±1/2° | | | DRAWING TITLE: 3-WAY POWER DIVIDER | | |
| DRAWN: Paiboon Luekhamhan | | DATE: 10-21-1997 | | PART NO. PS3-14/NF | |
| APPROVED: T. Nguyen | | DATE: 10-21-1997 | | CAGE CODE: OD2L5 | SIZE: A REV: N/A DWG NO. 80112 |
| PROPRIETARY NOTICE: THE INFORMATION IN THIS DRAWING IS PROPRIETARY AND SHALL NOT BE USED OR DISCLOSED WITHOUT WRITTEN PERMISSION FROM MICROWAVE COMMUNICATIONS LABORATORIES INC. (MCLI) | | THIRD ANGLE PROJECTION | | DO NOT SCALE THE DRAWING | |