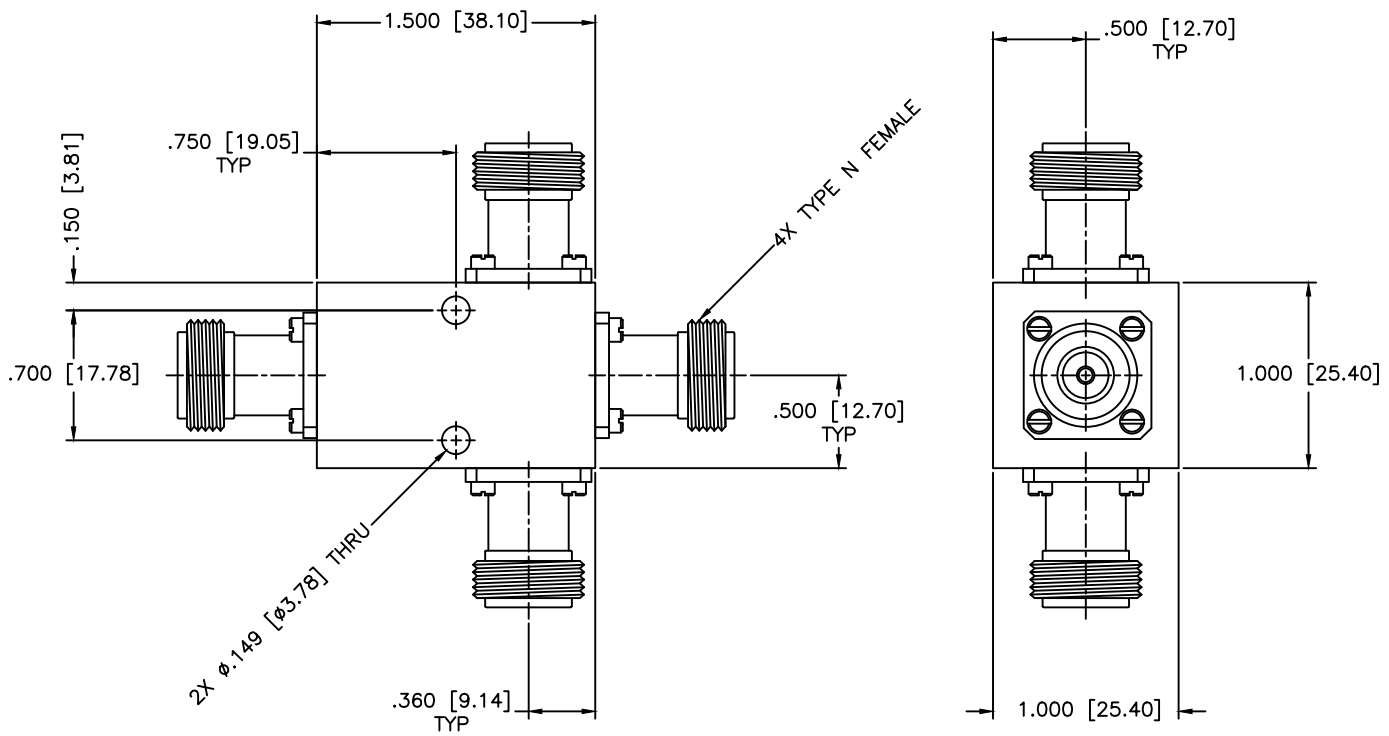


REVISIONS				
ZONE	REV	DESCRIPTION	DATE	APPROVED



**SPECIFICATIONS**

Frequency Range: 8–11 GHz  
 Insertion Loss: 1.1dB Max.  
 Isolation: 12dB Min.  
 VSWR Input/Output: 1.80:1/1.70:1 Max.  
 Amplitude Balance: 0.7dB Max.  
 Power: 20W (Load vswr@1.2)

MATERIAL:	
DRAWN: Paiboon Luekhamhan	DATE: 10-21-1997
APPROVED: T. Nguyen	DATE: 10-21-1997

	MICROWAVE COMMUNICATIONS LABORATORIES INC. 7255 30TH AVE. N. SAINT PETERSBURG, FL 33710 TEL: (727) 344-6254 FAX: (727) 381-6116 http://WWW.MCLI.COM		SCALE: N/A
	UNLESS OTHERWISE SPECIFIED: TOLERANCES IN (INCHES) OR [mm] (MILLIMETERS) FRACTIONS: ± 1/64 DECIMALS: ±.01 ±.005 ANGLE: ±1/2°		
DRAWING TITLE: 3-WAY POWER DIVIDER		PART NO. PS3-13/NF	
CAGE CODE: OD2L5	SIZE: A	REV: N/A	DWG NO. 80111
DO NOT SCALE THE DRAWING			

PROPRIETARY NOTICE:  
 THE INFORMATION IN THIS DRAWING IS PROPRIETARY  
 AND SHALL NOT BE USED OR DISCLOSED WITHOUT WRITTEN  
 PERMISSION FROM MICROWAVE COMMUNICATIONS  
 LABORATORIES INC. (MCLI)

THIRD ANGLE PROJECTION