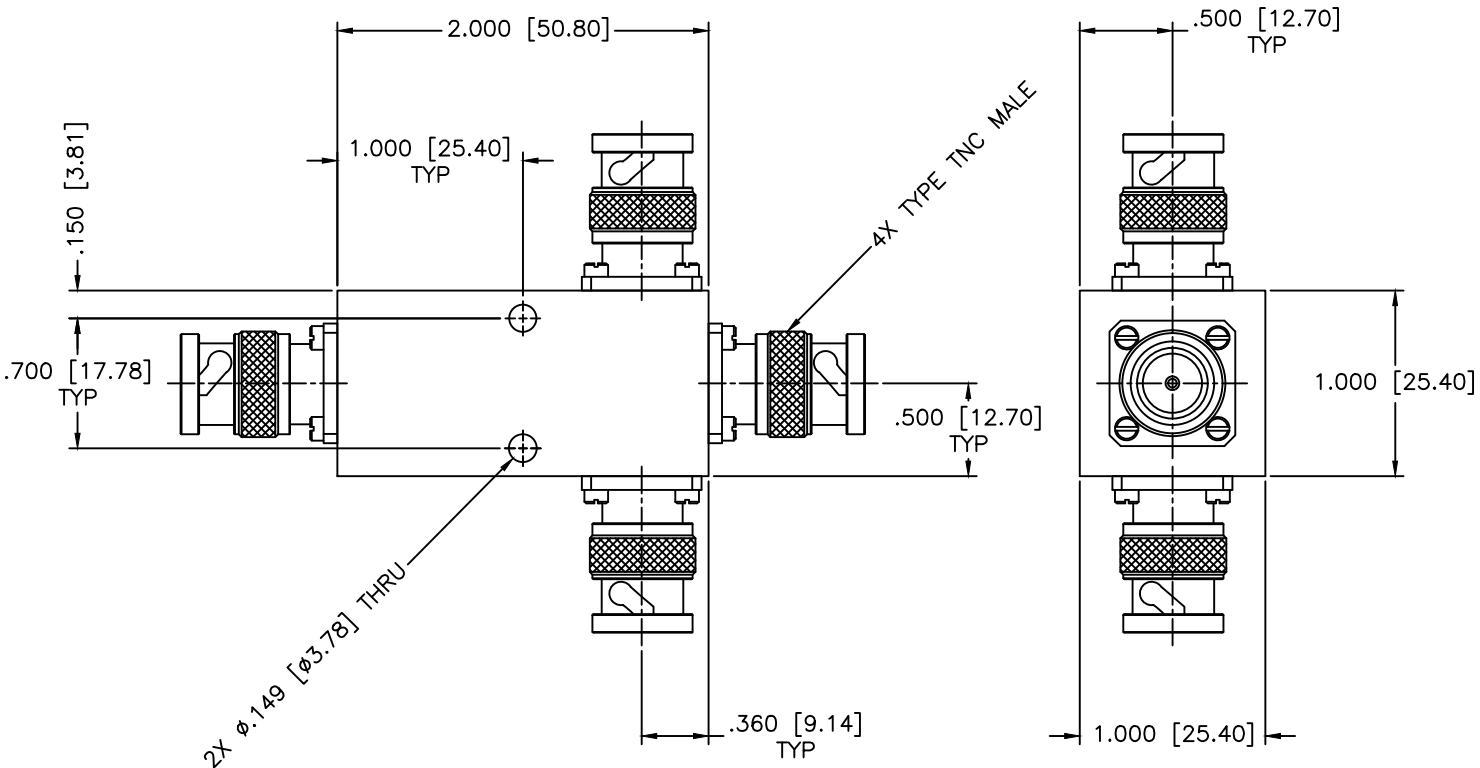


REVISIONS				
ZONE	REV	DESCRIPTION	DATE	APPROVED



**SPECIFICATIONS**

Frequency Range: 4–8 GHz  
 Insertion Loss: 0.8dB Max.  
 Isolation: 16dB Min.  
 VSWR Input/Output: 1.50:1/1.40:1 Max.  
 Phase Balance: ±9 Deg. Max.  
 Amplitude Balance: ±0.4dB Max.  
 Power: 20W (Load vswr@1.2)

MATERIAL:		MICROWAVE COMMUNICATIONS LABORATORIES INC. 7255 30TH AVE. N. SAINT PETERSBURG, FL 33710 TEL: (727) 344-6254 FAX: (727) 381-6116 http://WWW.MCLI.COM	SCALE:	N/A		
			SHEET:	N/A		
		UNLESS OTHERWISE SPECIFIED: TOLERANCES IN (INCHES) OR [mm] (MILLIMETERS) FRACTIONS: ± 1/64 DECIMALS: ±.01 ±.005 ANGLE: ±1/2°	DRAWING TITLE:			
			3-WAY POWER DIVIDER			
			PART NO.			
			PS3-12/TNM			
DRAWN:	DATE:	PROPRIETARY NOTICE: THE INFORMATION IN THIS DRAWING IS PROPRIETARY AND SHALL NOT BE USED OR DISCLOSED WITHOUT WRITTEN PERMISSION FROM MICROWAVE COMMUNICATIONS LABORATORIES INC. (MCLI)	CAGE CODE:	SIZE:	REV:	DWG NO.
APPROVED:	DATE:		OD2L5	A	N/A	83978
		THIRD ANGLE PROJECTION	DO NOT SCALE THE DRAWING			