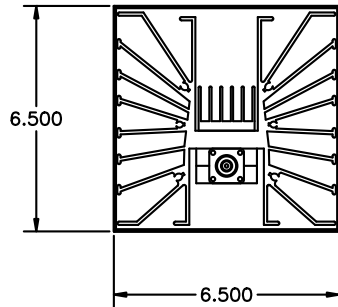


REVISIONS					
ZONE	REV	DESCRIPTION	Date	APPROVED	ECN#



**SPECIFICATIONS**

FREQUENCY RANGE DC to 500 MHz  
 VSWR 1.25:1 MAX  
 POWER 1500 WATTS, CW  
 COOLING CONVECTION AIR FAN COOLED  
 AMBIENT TEMP 40 °C MAX.

**MATERIALS**

HOUSING ALUMINUM, BLACK ANODIZE  
 CONNECTOR TYPE "N" FEMALE  
 HEAT SPREADER COPPER  
 SUBSTRATE BERYLLIUM OXIDE  
 RESISTIVE ELEMENT THICK FILM

MATERIAL:		MICROWAVE COMMUNICATIONS LABORATORIES INC. 7255 30TH AVE. N. SAINT PETERSBURG, FL 33710 TEL: (727) 344-6254 FAX: (727) 381-6116 http://WWW.MCLI.COM	SCALE:	N/A	
UNLESS OTHERWISE SPECIFIED: TOLERANCES IN (INCHES) OR [mm] (MILLIMETERS) FRACTIONS: ± 1/64 DECIMALS: ±.01 ±.005 ANGLE: ±1/2°			DRAWING TITLE:	1500 WATTS ATTENUATOR	
DRAWN:	DATE:	PROPRIETARY NOTICE: THE INFORMATION IN THIS DRAWING IS PROPRIETARY AND SHALL NOT BE USED OR DISCLOSED WITHOUT WRITTEN PERMISSION FROM MICROWAVE COMMUNICATIONS LABORATORIES INC. (MCLI)	PART NO.:	PCA-1500-NF-X	
APPROVED:	DATE:		CAGE CODE:	SIZE:	REV:
			OD2L5	N/A	N/A
			DO NOT SCALE THE DRAWING		
			DWG NO. 82314		