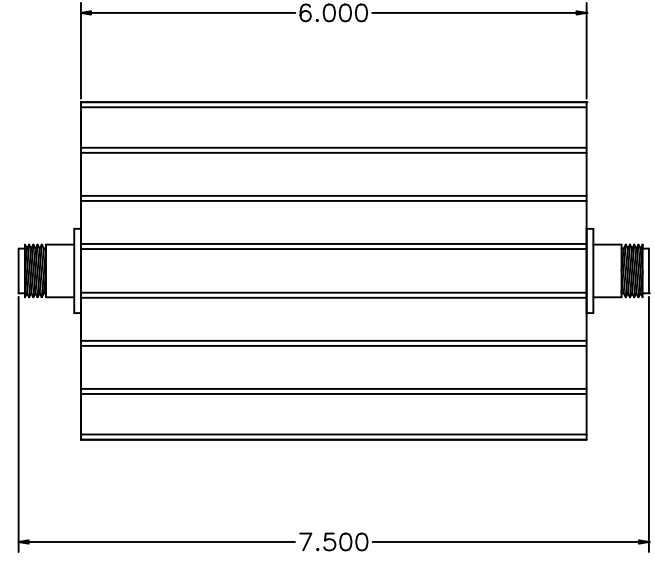
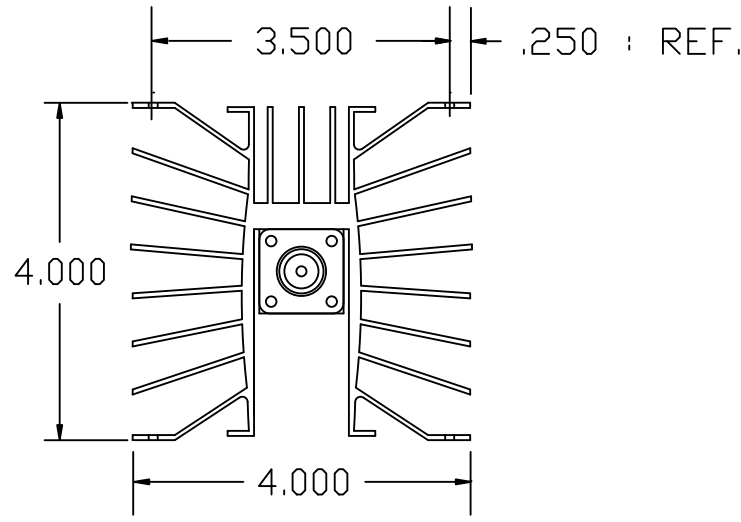


REVISIONS					
ZONE	REV	DESCRIPTION	Date	APPROVED	ECN#



SPECIFICATIONS

FREQUENCY RANGE: DC to 2.4 GHz
 VSWR: 1.25:1 DC TO 1 GHz
 1.35:1 1 TO 2.4 GHz
 ATTENUATION VALUE: 3 to 30 dB
 ATTENUATION ACCURACY: ±.3 dB OR 3% W.I.G.
 PEAK INPUT POWER: 2kW MAX.

MATERIALS:

CONNECTOR SHALL MEET REQTS.
 OF MIL-C-39012
 HOUSING: ALUMINUM, BLACK
 ANODIZE FINISH
 HEAT SPREADER: COPPER
 SUBSTRATE: BERYLLIUM OXIDE
 RESISTIVE ELEMENT: PROPRIETARY FILM

MATERIAL:		MICROWAVE COMMUNICATIONS LABORATORIES INC. 7255 30TH AVE. N. SAINT PETERSBURG, FL 33710 TEL: (727) 344-6254 FAX: (727) 381-6116 http://WWW.MCLI.COM	SCALE:	1:1
			SHEET:	N/A
UNLESS OTHERWISE SPECIFIED: TOLERANCES IN (INCHES) OR [mm] (MILLIMETERS) FRACTIONS: ± 1/64 DECIMALS: ±.01 ±.005 ANGLE: ±1/2°		DRAWING TITLE: 150 WATTS ATTENUATOR		
DRAWN: Paiboon Luekhamhan		PART NO. PCA-150-NF-X		
DATE: 03-07-2005		CAGE CODE: OD2L5		
APPROVED: T. Nguyen		DATE: 03-07-2005		REV: N/A
PROPRIETARY NOTICE: THE INFORMATION IN THIS DRAWING IS PROPRIETARY AND SHALL NOT BE USED OR DISCLOSED WITHOUT WRITTEN PERMISSION FROM MICROWAVE COMMUNICATIONS LABORATORIES INC. (MCLI)		SIZE: N/A		DWG NO. 82302
THIRD ANGLE PROJECTION 		DO NOT SCALE THE DRAWING		