

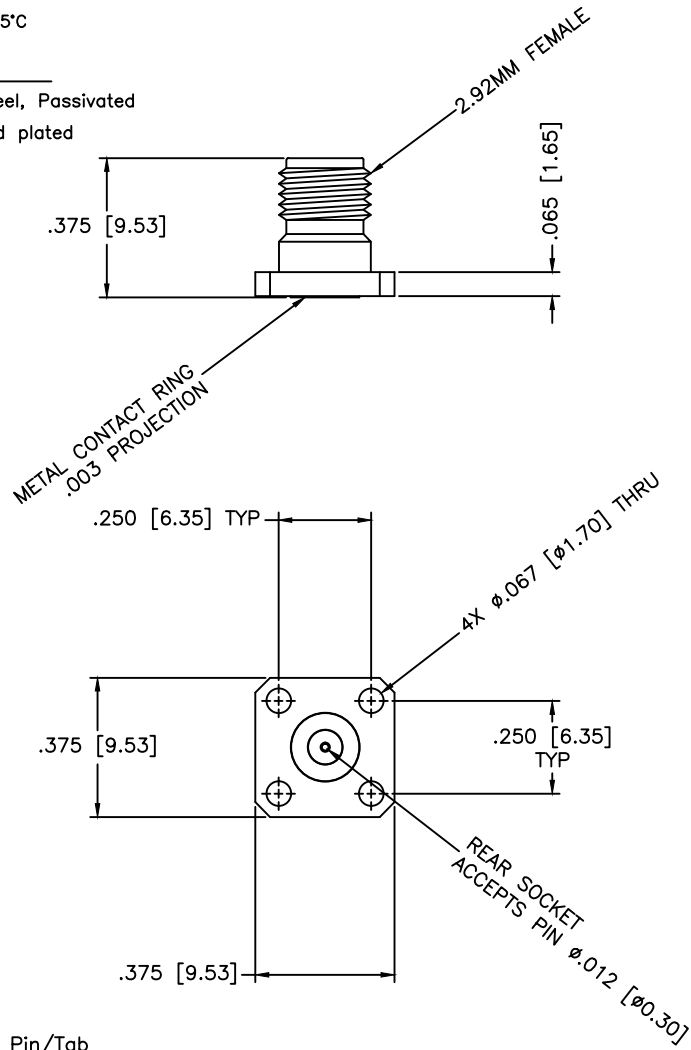
REVISIONS				
ZONE	REV	DESCRIPTION	DATE	APPROVED

SPECIFICATIONS

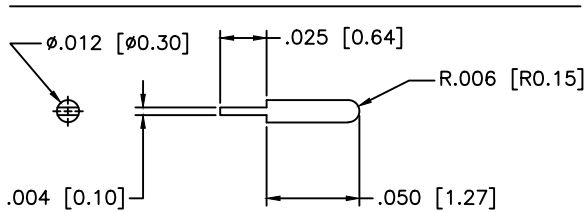
Frequency Range: DC-40 GHz
 VSWR: 1.20 Max.
 Impedance: 50 OHMS
 Temperature Range: -65°C to +85°C

MATERIAL & FINISHING

Shell: Stainless steel, Passivated
 Contact: Copper, Gold plated
 Insulator: PTFE Teflon



Launch Pin/Tab



MATERIAL:		MICROWAVE COMMUNICATIONS LABORATORIES INC. 7255 30TH AVE. N. SAINT PETERSBURG, FL 33710 TEL: (727) 344-6254 FAX: (727) 381-6116 http://WWW.MCLI.COM		SCALE:	N/A
		UNLESS OTHERWISE SPECIFIED: TOLERANCES IN (INCHES) OR [mm] (MILLIMETERS) FRACTIONS: ± 1/64 DECIMALS: ±.01 ±.003 ANGLE: ±1/2°		DRAWING TITLE:	2.92mm FEMALE CONNECTOR
DRAWN:	Paiboon Luekhamhan	DATE:	07-16-2012	PART NO.	MC292-012
APPROVED:	T. Nguyen	DATE:	07-16-2012	CAGE CODE:	OD2L5
PROPRIETARY NOTICE: THE INFORMATION IN THIS DRAWING IS PROPRIETARY AND SHALL NOT BE USED OR DISCLOSED WITHOUT WRITTEN PERMISSION FROM MICROWAVE COMMUNICATIONS LABORATORIES INC. (MCLI)		THIRD ANGLE PROJECTION 		SIZE:	A
REV: N/A		DWG NO.: 86133		DO NOT SCALE THE DRAWING	