

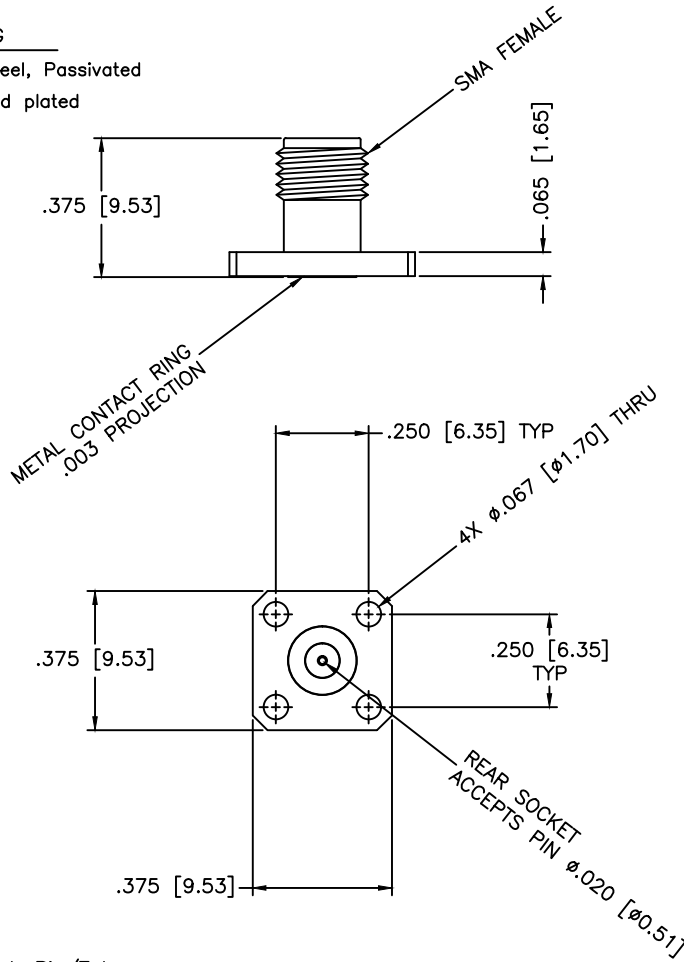
REVISIONS				
ZONE	REV	DESCRIPTION	DATE	APPROVED

**SPECIFICATIONS**

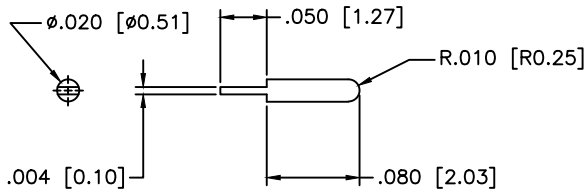
Frequency Range: DC-27 GHz  
 VSWR: 1.25 Max.  
 Impedance: 50 OHMS  
 Temperature Range: -65°C to +85°C

**MATERIAL & FINISHING**

Shell: Stainless steel, Passivated  
 Contact: Copper, Gold plated  
 Insulator: PTFE Teflon



**Launch Pin/Tab**



MATERIAL:			MICROWAVE COMMUNICATIONS LABORATORIES INC. 7255 30TH AVE. N. SAINT PETERSBURG, FL 33710 TEL: (727) 344-6254 FAX: (727) 381-6116 http://WWW.MCLI.COM		SCALE:	N/A	
					SHEET:	N/A	
		UNLESS OTHERWISE SPECIFIED: TOLERANCES IN (INCHES) OR [mm] (MILLIMETERS) FRACTIONS: $\pm$ 1/64 DECIMALS: $\pm$ .01 $\pm$ .003 ANGLE: $\pm$ 1/2°		DRAWING TITLE:			SMA FEMALE CONNECTOR
		PROPRIETARY NOTICE: THE INFORMATION IN THIS DRAWING IS PROPRIETARY AND SHALL NOT BE USED OR DISCLOSED WITHOUT WRITTEN PERMISSION FROM MICROWAVE COMMUNICATIONS LABORATORIES INC. (MCLI)		PART NO.			MC27-560
DRAWN:	DATE:		CAGE CODE:	SIZE:	REV:	DWG NO.	
APPROVED:	DATE:		OD2L5	A	N/A	86647	
				DO NOT SCALE THE DRAWING			