

**SPECIFICATIONS**

FREQUENCY RANGE: DC-4.0 GHz  
 VSWR: 1.30:1 MAX.  
 INSERTION LOSS: 0.30dB MAX.  
 ISOLATION: 70dB MIN.  
 IMPEDANCE: 50 OHMS

**MECHANICAL**

CONTACT: BREAK BEFORE MAKE  
 ACTUATOR: LATCHING  
 SWITCHING SPEED: 20 mSEC MAX

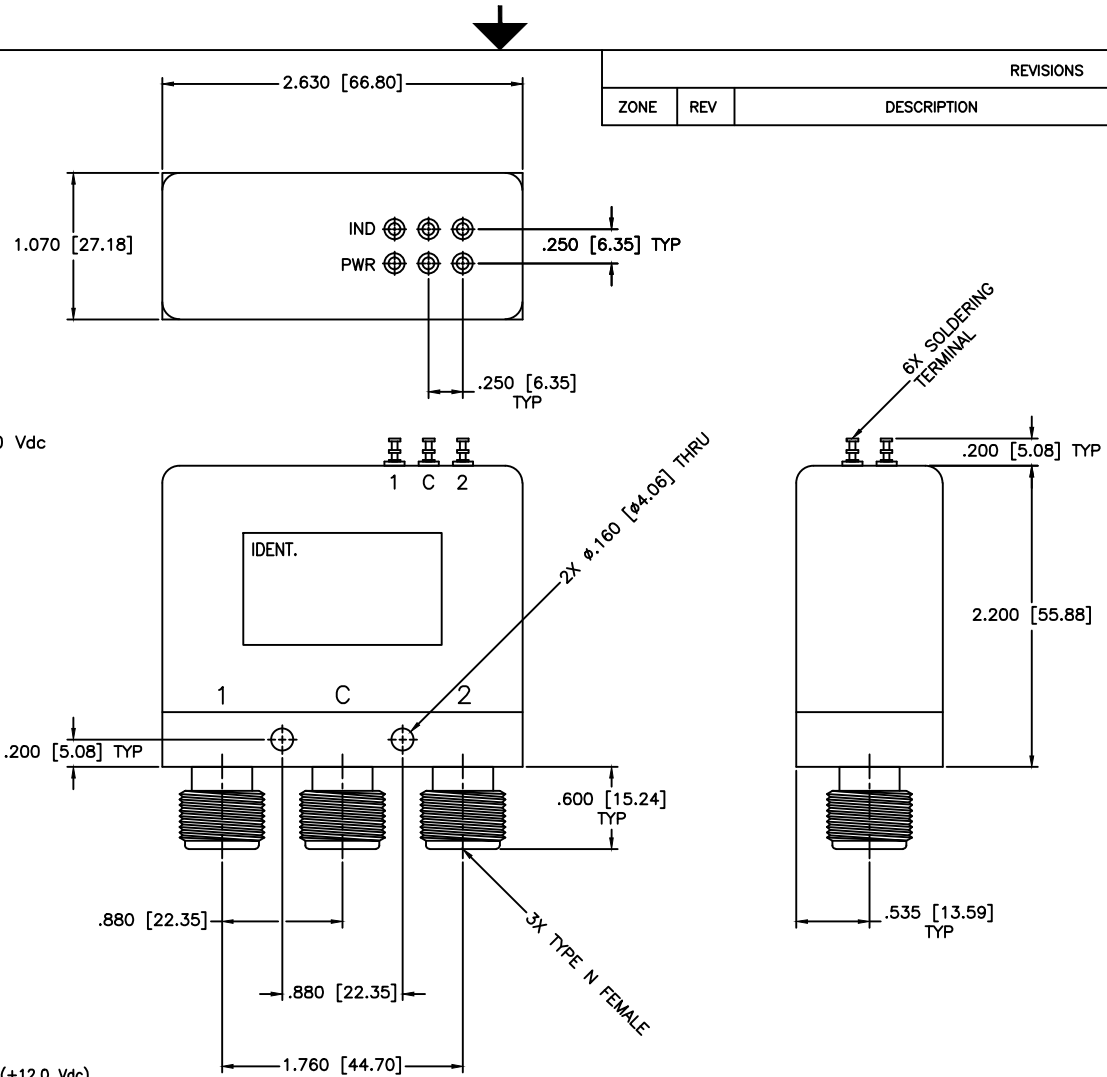
**ELECTRICAL**

ACTUATOR VOLTAGE: 12.0 Vdc  
 ACTUATOR CURRENT: 100mA MAX @ 12.0 Vdc  
 POWER HANDLING: 350W CW @ 1.0GHz

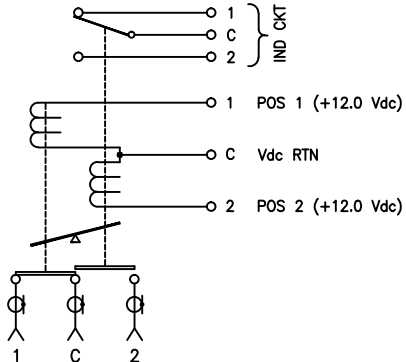
**ENVIRONMENTAL**

OPERATING TEMP: -54°C to +90°C  
 SINE VIBRATION: 30 G'S rms  
 LIFE: 1,000,000 CYCLES  
 RANDOM VIBRATION: 20 G'S rms

REVISIONS				
ZONE	REV	DESCRIPTION	Date	APPROVED



**SCHEMATIC**  
 SHOWN IN LATCHING, INDICATOR



MATERIAL:	
DRAWN:	DATE:
Paiboon Luexhamhan	08-11-2003
APPROVED:	DATE:
T. Nguyen	08-11-2003

**MCLI** MICROWAVE COMMUNICATIONS LABORATORIES INC.  
 7255 30TH AVE. N. SAINT PETERSBURG, FL 33710  
 TEL: (727) 344-6254 FAX: (727) 381-6116  
 http://WWW.MCLI.COM

UNLESS OTHERWISE SPECIFIED:  
 TOLERANCES  
 IN (INCHES) OR [mm] (MILLIMETERS)  
 FRACTIONS: ± 1/64  
 DECIMALS: ± .02 ± .008  
 ANGLE: ± 1/2°

SCALE:	N/A
SHEET:	N/A
DRAWING TITLE: ELECTROMECHANICAL SWITCHES	
PART NO. K5-3-LI/12	
CAGE CODE:	SIZE:
OD2L5	N/A
REV:	DWG. NO.
N/A	82820
DO NOT SCALE THE DRAWING	

PROPRIETARY NOTICE:  
 THE INFORMATION IN THIS DRAWING IS PROPRIETARY  
 AND SHALL NOT BE USED OR DISCLOSED WITHOUT WRITTEN  
 PERMISSION FROM MICROWAVE COMMUNICATIONS  
 LABORATORIES INC. (MCLI)

THIRD ANGLE PROJECTION