

SPECIFICATIONS

FREQUENCY RANGE: DC-4.0 GHz
 VSWR: 1.30:1 MAX.
 INSERTION LOSS: 0.30dB MAX.
 ISOLATION: 70dB MIN.
 IMPEDANCE: 50 OHMS

MECHANICAL

CONTACT: BREAK BEFORE MAKE
 ACTUATOR: LATCHING
 SWITCHING SPEED: 20 mSEC MAX

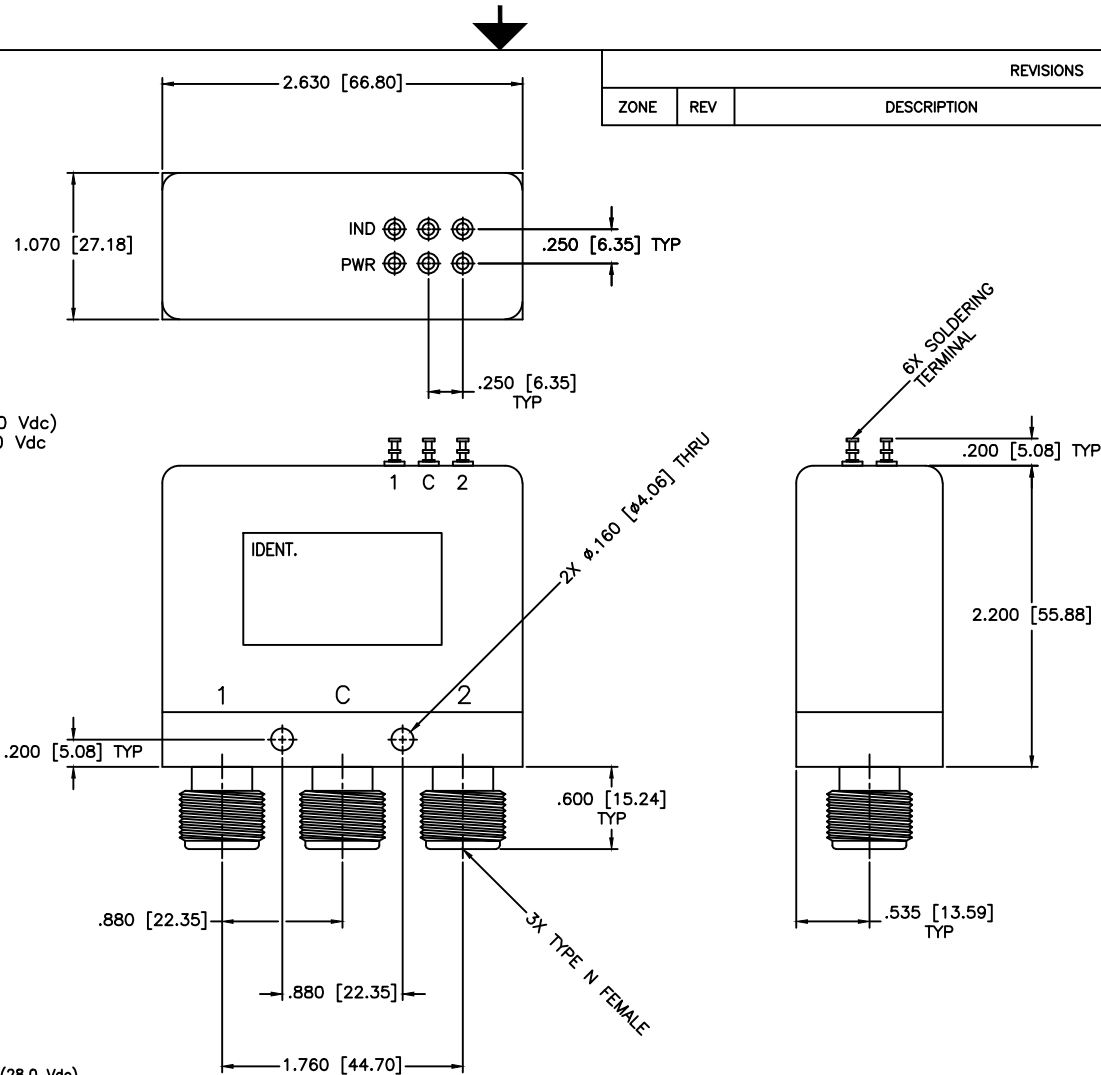
ELECTRICAL

ACTUATOR VOLTAGE: 28.0 Vdc (22.0-32.0 Vdc)
 ACTUATOR CURRENT: 100mA MAX @ 28.0 Vdc
 POWER HANDLING: 350W CW @ 1.0GHz

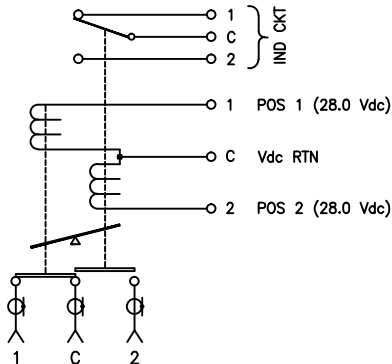
ENVIRONMENTAL

OPERATING TEMP: -54°C to +90°C
 SINE VIBRATION: 30 G'S rms
 LIFE: 1,000,000 CYCLES
 RANDOM VIBRATION: 20 G'S rms

REVISIONS				
ZONE	REV	DESCRIPTION	Date	APPROVED



SCHEMATIC
 SHOWN IN LATCHING, INDICATOR



MATERIAL:	
DRAWN: Paiboon Luengkhamhan	DATE: 04-03-2001
APPROVED: T. Nguyen	DATE: 04-03-2001

<p>MICROWAVE COMMUNICATIONS LABORATORIES INC. 7255 30TH AVE. N. SAINT PETERSBURG, FL 33710 TEL: (727) 344-6254 FAX: (727) 381-6116 http://WWW.MCLI.COM</p>	SCALE: N/A
	SHEET: N/A
UNLESS OTHERWISE SPECIFIED: TOLERANCES IN (INCHES) OR [mm] (MILLIMETERS) FRACTIONS: ± 1/64 DECIMALS: ± .02 ± .008 ANGLE: ± 1/2°	DRAWING TITLE: ELECTROMECHANICAL SWITCHES
FREQUENTLY USED: THE INFORMATION IN THIS DRAWING IS PROPRIETARY AND SHALL NOT BE USED OR DISCLOSED WITHOUT WRITTEN PERMISSION FROM MICROWAVE COMMUNICATIONS LABORATORIES INC. (MCLI)	PART NO.: K5-3-L1
THIRD ANGLE PROJECTION	CAGE CODE: OD2L5 SIZE: N/A REV: N/A DWG NO.: 81672
DO NOT SCALE THE DRAWING	