

REVISIONS				
ZONE	REV	DESCRIPTION	Date	APPROVED

SPECIFICATIONS

FREQUENCY RANGE: DC-2.0 GHz
 VSWR: 1.20:1 Max.
 INSERTION LOSS: 0.20dB Max.
 ISOLATION: 90dB Min.
 IMPEDANCE: 50 Ohms

MECHANICAL

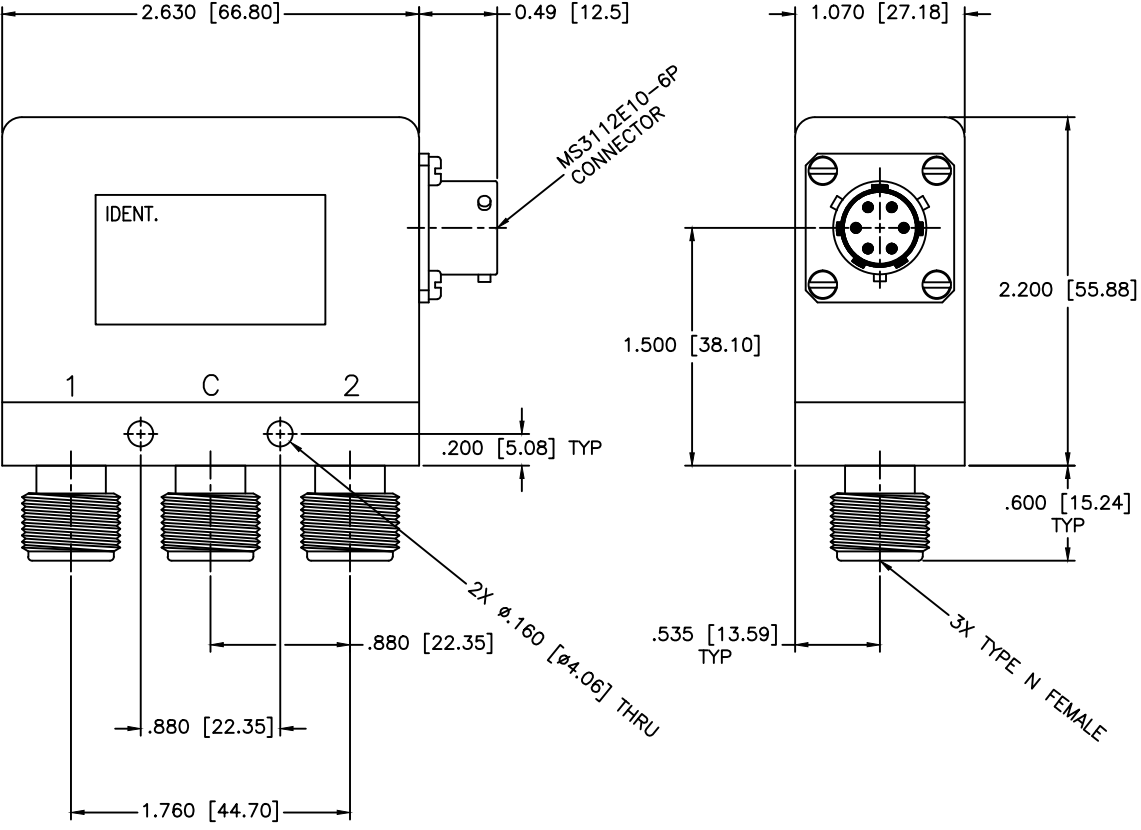
CONTACT: BREAK BEFORE MAKE
 ACTUATOR: LATCHING
 SWITCHING SPEED: 20 mSEC MAX

ELECTRICAL

ACTUATOR VOLTAGE: 12.0 Vdc
 ACTUATOR CURRENT: 125 mA MAX @ 12.0 Vdc
 POWER HANDLING: 350W CW @ 1.0GHz

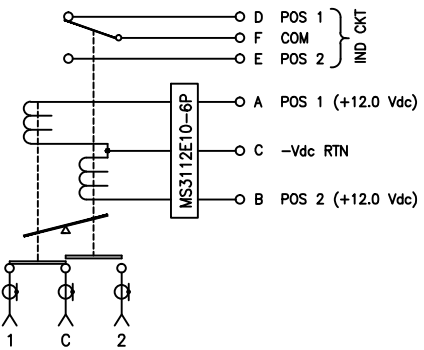
ENVIRONMENTAL

OPERATING TEMP: -54°C to +90°C
 SINE VIBRATION: 30 G'S rms
 LIFE: 1,000,000 CYCLES
 RANDOM VIBRATION: 20 G'S rms



SCHEMATIC

LATCHING, INDICATOR



MATERIAL:	
DRAWN:	DATE:
Paiboon Luengkhamhan	04-03-2001
APPROVED:	DATE:
T. Nguyen	04-03-2001



MICROWAVE COMMUNICATIONS LABORATORIES INC.
 7255 30TH AVE. N. SAINT PETERSBURG, FL 33710
 TEL: (727) 344-6254 FAX: (727) 381-6116
 http://WWW.MCLI.COM

SCALE:	N/A
SHEET:	N/A

UNLESS OTHERWISE SPECIFIED:
 TOLERANCES
 IN (INCHES) OR [mm] (MILLIMETERS)
 FRACTIONS: ± 1/64
 DECIMALS: ± .02 ± .008
 ANGLE: ± 1/2°

DRAWING TITLE:
ELECTROMECHANICAL SWITCHES

PART NO.
K5-2-LI/12C

THIRD ANGLE PROJECTION

CAGE CODE:	SIZE:	REV:	DWG. NO.
OD2L5	N/A	N/A	81674
DO NOT SCALE THE DRAWING			