

SPECIFICATIONS

FREQUENCY RANGE: DC-2.0 GHz
 VSWR: 1.20:1 MAX.
 INSERTION LOSS: 0.20dB MAX.
 ISOLATION: 90dB MIN.
 IMPEDANCE: 50 OHMS

MECHANICAL

CONTACT: BREAK BEFORE MAKE
 ACTUATOR: LATCHING
 SWITCHING SPEED: 20 mSEC MAX

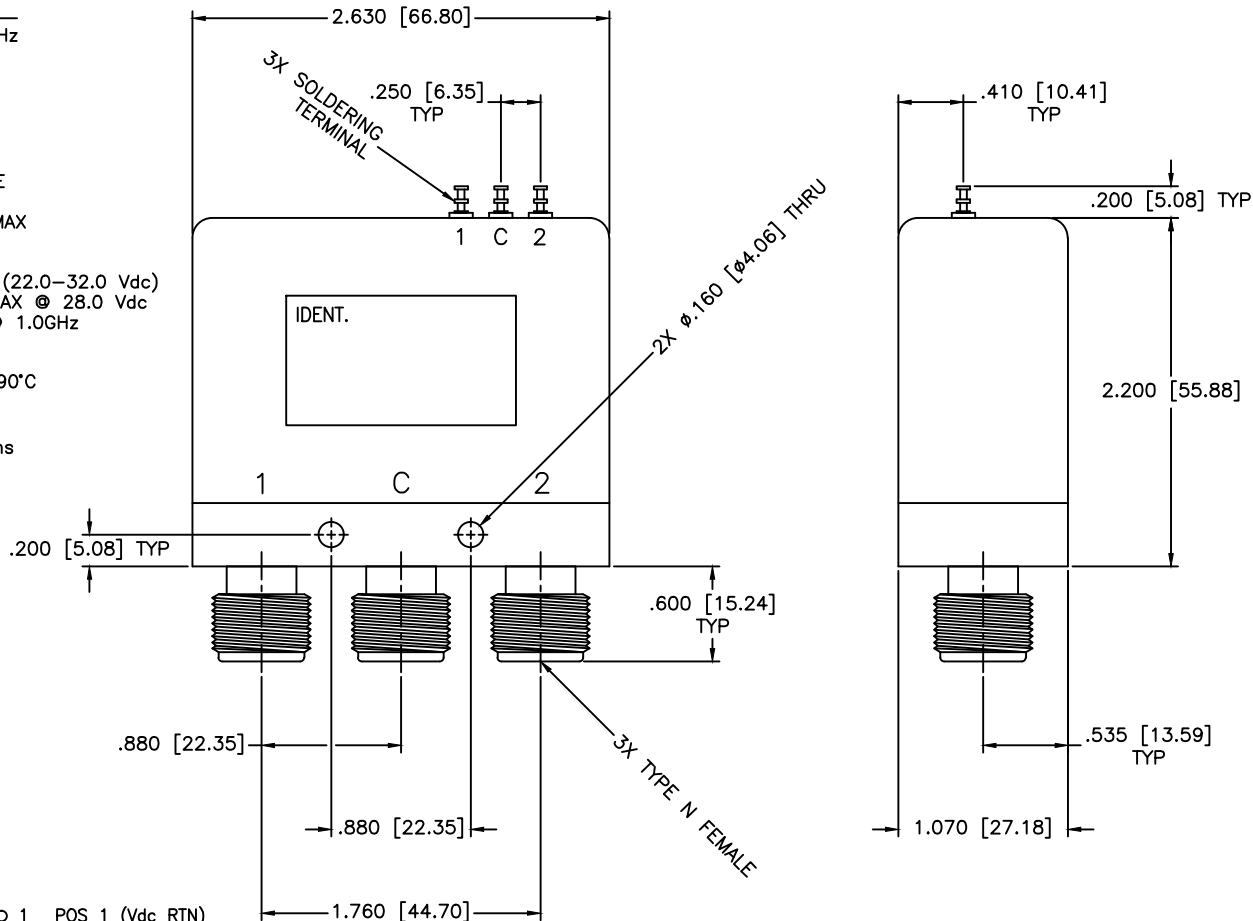
ELECTRICAL

ACTUATOR VOLTAGE: 28.0 Vdc (22.0-32.0 Vdc)
 ACTUATOR CURRENT: 100mA MAX @ 28.0 Vdc
 POWER HANDLING: 350W CW @ 1.0GHz

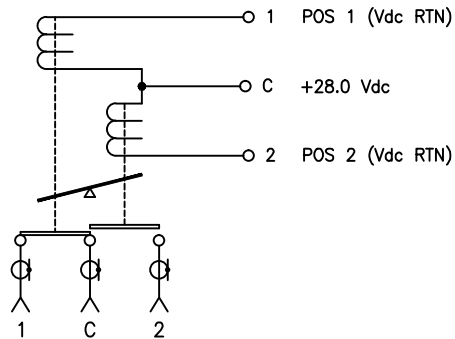
ENVIRONMENTAL

OPERATING TEMP: -54°C to +90°C
 SINE VIBRATION: 30 G'S rms
 LIFE: 1,000,000 CYCLES
 RANDOM VIBRATION: 20 G'S rms

REVISIONS				
ZONE	REV	DESCRIPTION	Date	APPROVED



SCHMATIC
 SHOWN IN LATCHING



MATERIAL:	
DRAWN:	DATE:
Paiboon Luengkhamhan	08-11-2003
APPROVED:	DATE:
T. Nguyen	08-11-2003

	MICROWAVE COMMUNICATIONS LABORATORIES INC. 7255 30TH AVE. N. SAINT PETERSBURG, FL 33710 TEL: (727) 344-6254 FAX: (727) 381-6116 http://WWW.MCLI.COM		SCALE:	N/A
	UNLESS OTHERWISE SPECIFIED: TOLERANCES IN (INCHES) OR [mm] (MILLIMETERS) FRACTIONS: ± 1/64 DECIMALS: ±.02 ±.008 ANGLE: ±1/2°		SHEET:	N/A
DRAWING TITLE:			ELECTROMECHANICAL SWITCHES	
PART NO.:			K5-2-L/28P	
CAGE CODE:	SIZE:	REV:	DWG. NO.:	
OD2L5	N/A	N/A	82206	
DO NOT SCALE THE DRAWING				

PERMISSION TO REPRODUCE THIS INFORMATION IN THIS DRAWING IS PROPRIETARY AND SHALL NOT BE USED OR DISCLOSED WITHOUT WRITTEN PERMISSION FROM MICROWAVE COMMUNICATIONS LABORATORIES INC. (MCLI)

THIRD ANGLE PROJECTION