

**SPECIFICATIONS**

FREQUENCY RANGE: DC-2.0 GHz  
 VSWR: 1.20:1 MAX.  
 INSERTION LOSS: 0.20dB MAX.  
 ISOLATION: 90dB MIN.  
 IMPEDANCE: 50 OHMS

**MECHANICAL**

CONTACT: BREAK BEFORE MAKE  
 ACTUATOR: LATCHING  
 SWITCHING SPEED: 20 mSEC MAX

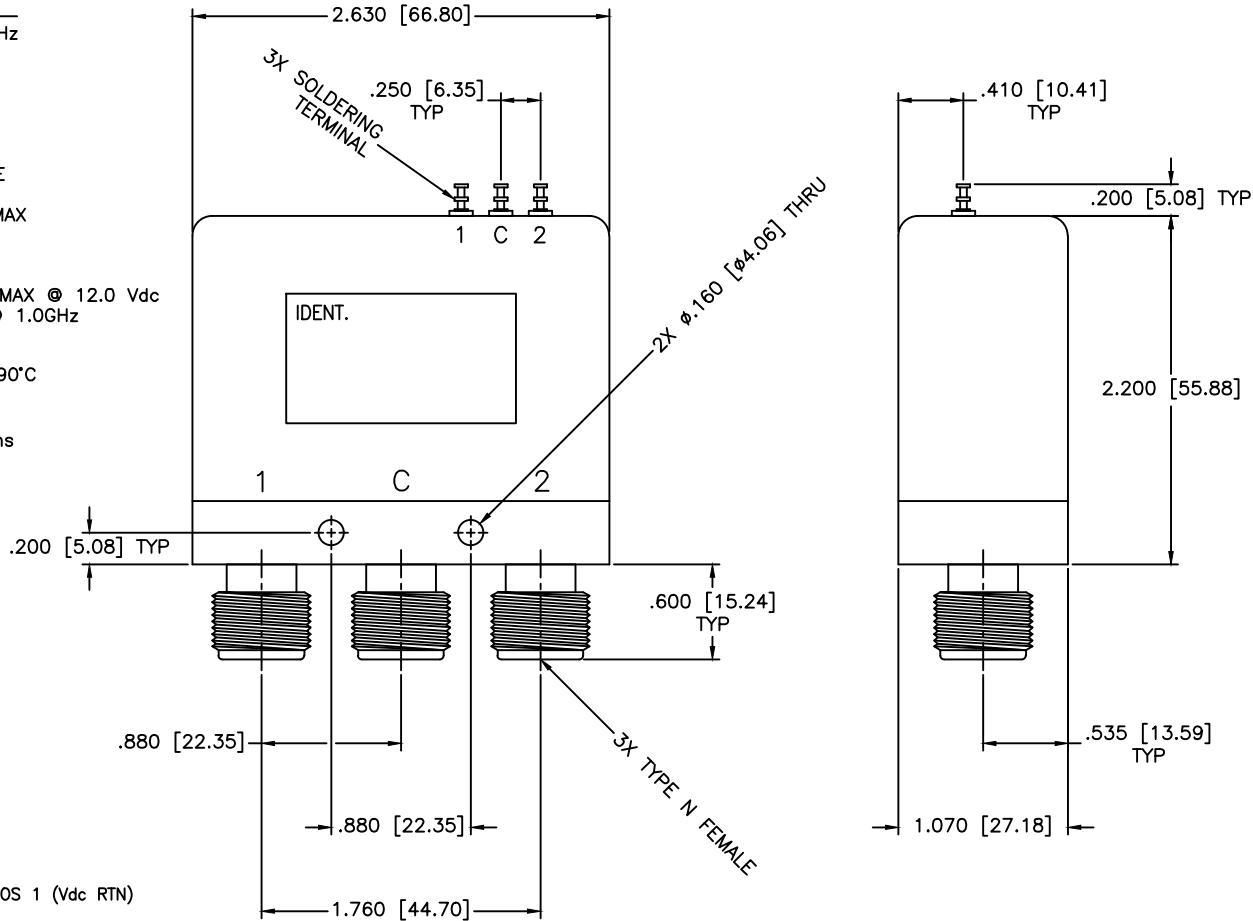
**ELECTRICAL**

ACTUATOR VOLTAGE: 12.0 Vdc  
 ACTUATOR CURRENT: 125 mA MAX @ 12.0 Vdc  
 POWER HANDLING: 350W CW @ 1.0GHz

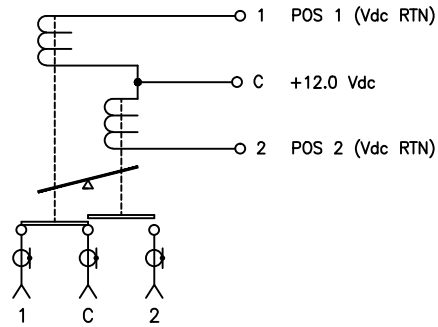
**ENVIRONMENTAL**

OPERATING TEMP: -54°C to +90°C  
 SINE VIBRATION: 30 G'S rms  
 LIFE: 1,000,000 CYCLES  
 RANDOM VIBRATION: 20 G'S rms

| REVISIONS |     |             |          |
|-----------|-----|-------------|----------|
| ZONE      | REV | DESCRIPTION | APPROVED |
|           |     |             |          |



**SCHMATIC**  
 SHOWN IN LATCHING



|                    |            |
|--------------------|------------|
| MATERIAL:          |            |
| /                  |            |
| DRAWN:             | DATE:      |
| Paiboon Luekhamhan | 08-11-2003 |
| APPROVED:          | DATE:      |
| T. Nguyen          | 08-11-2003 |

|                          |  |                            |          |     |
|--------------------------|--|----------------------------|----------|-----|
| <b>MCLI</b>              | MICROWAVE COMMUNICATIONS LABORATORIES INC.<br>7255 30TH AVE. N. SAINT PETERSBURG, FL 33710<br>TEL: (727) 344-6254 FAX: (727) 381-6116<br>http://WWW.MCLI.COM |                            | SCALE:   | N/A |
|                          | UNLESS OTHERWISE SPECIFIED:<br>TOLERANCES<br>IN (INCHES) OR [mm] (MILLIMETERS)<br>FRACTIONS: ± 1/64<br>DECIMALS: ±.02 ±.008<br>ANGLE: ±1/2°                  |                            | SHEET:   | N/A |
| DRAWING TITLE:           |  | ELECTROMECHANICAL SWITCHES |          |     |
| PART NO.:                |  | K5-2-L/12P                 |          |     |
| CAGE CODE:               | SIZE:  | REV:                       | DWG. NO. |     |
| OD2L5                    | N/A  | N/A                        | 82211    |     |
| DO NOT SCALE THE DRAWING |  |                            |          |     |

