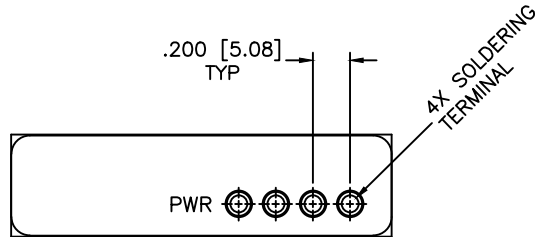
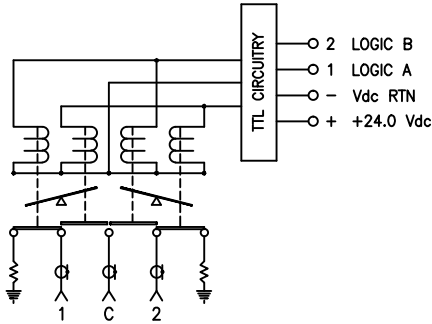


REVISIONS				
ZONE	REV	DESCRIPTION	DATE	APPROVED

SCHEMATIC
SHOWN IN LATCHING, TTL



MECHANICAL

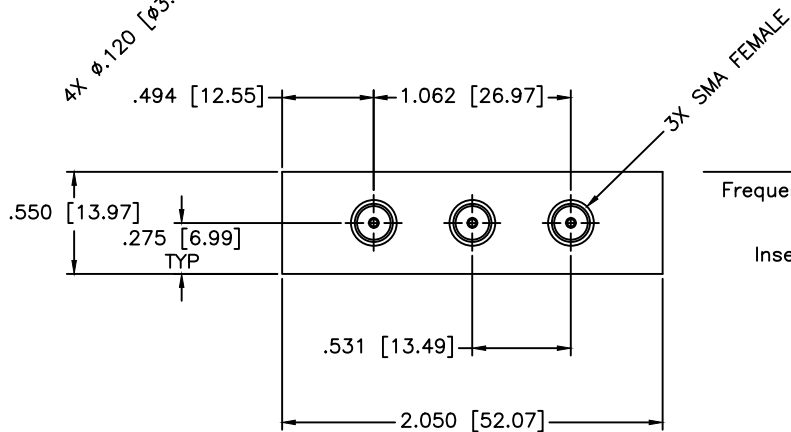
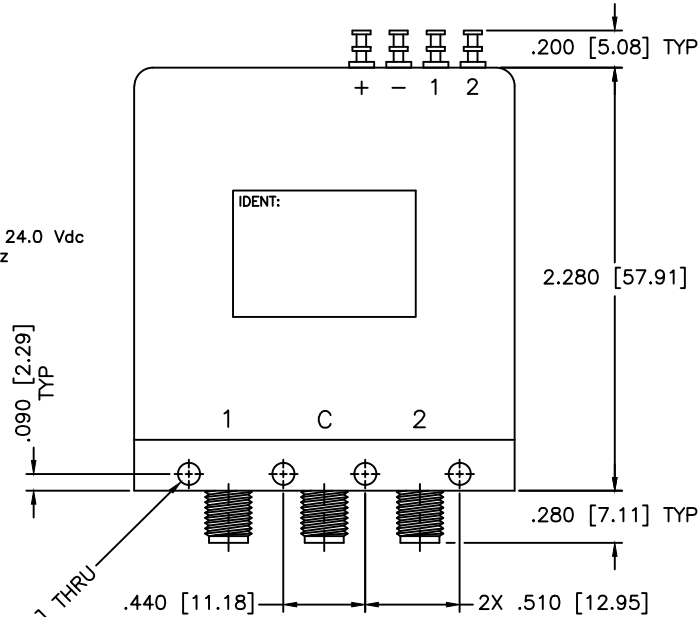
CONTACT: BREAK BEFORE MAKE
ACTUATOR: LATCHING
SWITCHING SPEED: 20 mSEC MAX

ELECTRICAL

ACTUATOR VOLTAGE: 24.0±3.0 Vdc
ACTUATOR CURRENT: 100 mA MAX @ 24.0 Vdc
POWER HANDLING: 200W CW @ 1.0GHz
IMPEDANCE: 50 Ohms

ENVIRONMENTAL

OPERATING TEMP: -54°C to +90°C
SINE VIBRATION: 30 G'S rms
LIFE: 1,000,000 CYCLES
RANDOM VIBRATION: 20 G'S rms



SPECIFICATIONS

Frequency Range: DC-18.0 GHz
VSWR: 1.50:1 Max.
Insertion Loss: 0.50dB Max.
Isolation: 60dB Min.
Impedance: 50 Ohms

MATERIAL:			MICROWAVE COMMUNICATIONS LABORATORIES INC. 7255 30TH AVE. N. SAINT PETERSBURG, FL 33710 TEL: (727) 344-6254 FAX: (727) 381-6116 http://WWW.MCLI.COM		SCALE:	N/A
			UNLESS OTHERWISE SPECIFIED: TOLERANCES IN (INCHES) OR [mm] (MILLIMETERS) FRACTIONS: ± 1/64 DECIMALS: ± .02 ± .009 ANGLE: ± 1/2°		SHEET:	N/A
DRAWN: Paiboon Luekhamhan		DATE: 10-16-2006	PROPRIETARY NOTICE: THE INFORMATION IN THIS DRAWING IS PROPRIETARY AND SHALL NOT BE USED OR DISCLOSED WITHOUT WRITTEN PERMISSION FROM MICROWAVE COMMUNICATIONS LABORATORIES INC. (MCLI)		DRAWING TITLE: ELECTROMECHANICAL SWITCHES	
APPROVED: T. Nguyen		DATE: 10-16-2006	PART NO. K4-7-LL/24 CAGE CODE: OD2L5		SIZE: A REV: N/A DWG NO. 82687	
				DO NOT SCALE THE DRAWING		