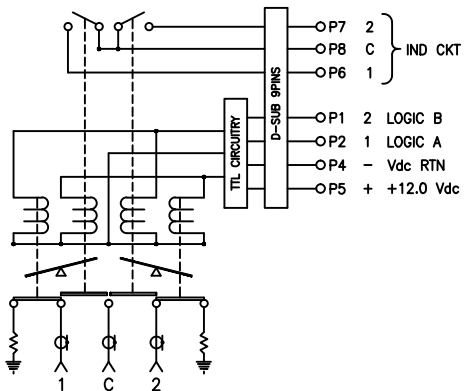


REVISIONS				
ZONE	REV	DESCRIPTION	DATE	APPROVED

SCHEMATIC
LATCHING, INDICATOR, TTL



PINS DESIGNATION

PIN NO.	APPLICATIONS	FUNCTION
PIN #1	+12.0 Vdc	RF POS 1
PIN #2	+12.0 Vdc	RF POS 2
PIN #3	SPARE	NONE
PIN #4	Vdc RTN	SUPPLY
PIN #5	+12.0 Vdc	SUPPLY
PIN #6	INDICATOR	IND. POS 1
PIN #7	INDICATOR	IND. POS 2
PIN #8	INDICATOR	IND. COMMON
PIN #9	SPARE	NONE

MECHANICAL

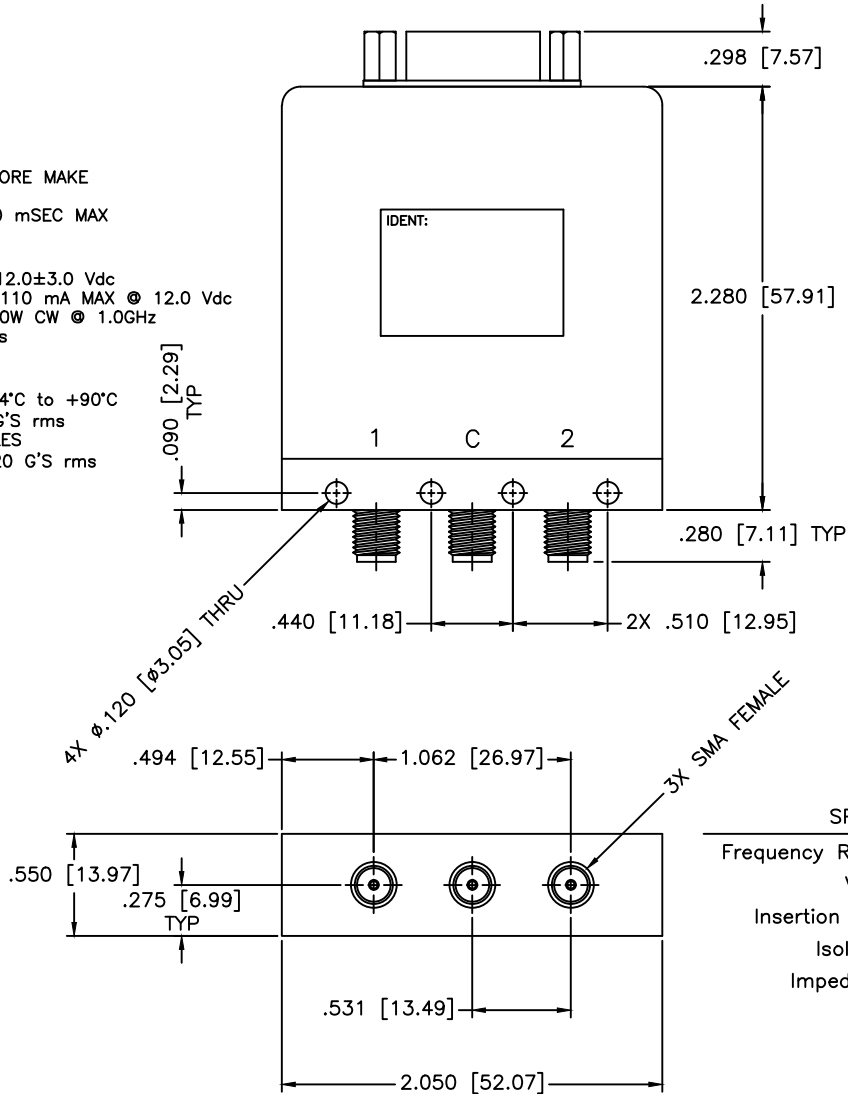
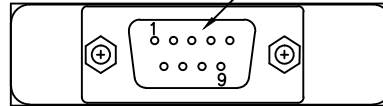
CONTACT: BREAK BEFORE MAKE
ACTUATOR: LATCHING
SWITCHING SPEED: 20 mSEC MAX

ELECTRICAL

ACTUATOR VOLTAGE: 12.0±3.0 Vdc
ACTUATOR CURRENT: 110 mA MAX @ 12.0 Vdc
POWER HANDLING: 200W CW @ 1.0GHz
IMPEDANCE: 50 Ohms

ENVIRONMENTAL

OPERATING TEMP: -54°C to +90°C
SINE VIBRATION: 30 G'S rms
LIFE: 1,000,000 CYCLES
RANDOM VIBRATION: 20 G'S rms



SPECIFICATIONS

Frequency Range: DC-18.0 GHz
VSWR: 1.50:1 Max.
Insertion Loss: 0.50dB Max.
Isolation: 60dB Min.
Impedance: 50 Ohms

MATERIAL:				MICROWAVE COMMUNICATIONS LABORATORIES INC. 7255 30TH AVE. N. SAINT PETERSBURG, FL 33710 TEL: (727) 344-6254 FAX: (727) 381-6116 http://WWW.MCLI.COM		SCALE:	N/A	
				UNLESS OTHERWISE SPECIFIED: TOLERANCES IN (INCHES) OR [mm] (MILLIMETERS) FRACTIONS: ± 1/64 DECIMALS: ± .02 ± .009 ANGLE: ± 1/2°		DRAWING TITLE:		SHEET:
DRAWN:		DATE:	PROPRIETARY NOTICE: THE INFORMATION IN THIS DRAWING IS PROPRIETARY AND SHALL NOT BE USED OR DISCLOSED WITHOUT WRITTEN PERMISSION FROM MICROWAVE COMMUNICATIONS LABORATORIES INC. (MCLI) THIRD ANGLE PROJECTION		ELECTROMECHANICAL SWITCHES		PART NO.	
Paiboon Luekhamhan		08-04-2011					K4-7-LIL/12/D	
APPROVED:		DATE:	CAGE CODE:	SIZE:	REV:	DWG NO.		
T. Nguyen		08-04-2011	OD2L5	A	N/A	85805		
				DO NOT SCALE THE DRAWING				