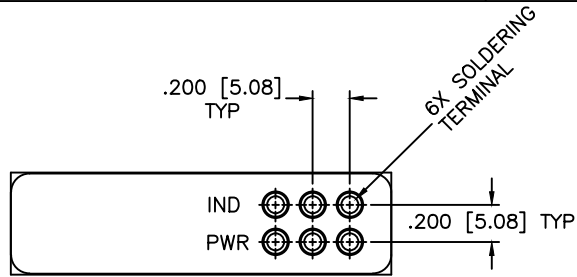
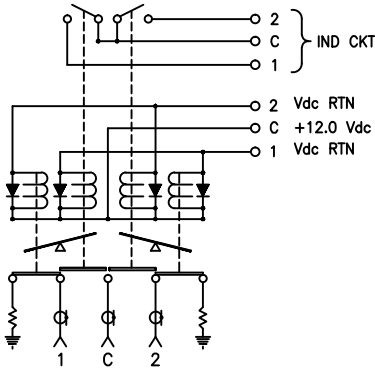


REVISIONS				
ZONE	REV	DESCRIPTION	DATE	APPROVED

**SCHEMATIC**  
LATCHING, INDICATOR, SUPPRESSION DIODE



**MECHANICAL**

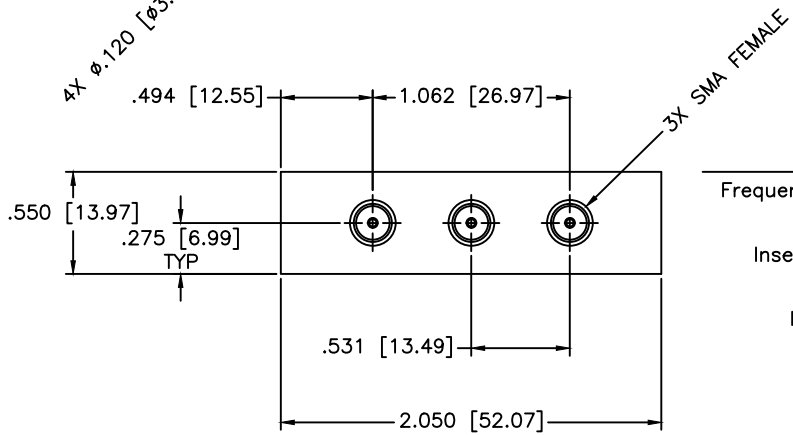
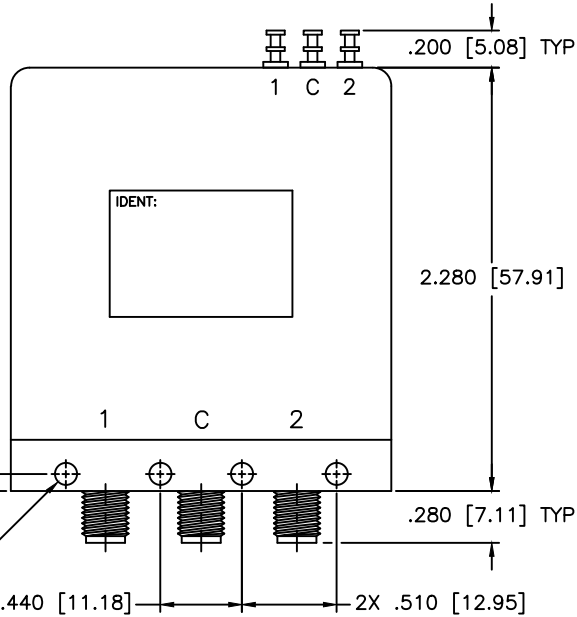
CONTACT: BREAK BEFORE MAKE  
ACTUATOR: LATCHING  
SWITCHING SPEED: 20 mSEC MAX

**ELECTRICAL**

ACTUATOR VOLTAGE: 12.0±3.0 Vdc  
ACTUATOR CURRENT: 110 mA MAX @ 12.0 Vdc  
POWER HANDLING: 200W CW @ 1.0GHz  
IMPEDANCE: 50 Ohms

**ENVIRONMENTAL**

OPERATING TEMP: -54°C to +90°C  
SINE VIBRATION: 30 G'S rms  
LIFE: 1,000,000 CYCLES  
RANDOM VIBRATION: 20 G'S rms



**SPECIFICATIONS**

Frequency Range: DC-4.0 GHz  
VSWR: 1.25:1 Max.  
Insertion Loss: 0.25dB Max.  
Isolation: 80dB Min.  
Impedance: 50 Ohms

MATERIAL:		MICROWAVE COMMUNICATIONS LABORATORIES INC. 7255 30TH AVE. N. SAINT PETERSBURG, FL 33710 TEL: (727) 344-6254 FAX: (727) 381-6116 http://WWW.MCLI.COM		SCALE:	N/A
DRAWN: Paiboon Luekhamhan				DATE: 04-23-2009	SHEET:
APPROVED: T. Nguyen		DATE: 04-23-2009	DRAWING TITLE: ELECTROMECHANICAL SWITCHES		
PART NO.:		K4-3-LIS/12P			
CAGE CODE: OD2L5		SIZE: A	REV: N/A	DWG NO. 84180	
DO NOT SCALE THE DRAWING					

UNLESS OTHERWISE SPECIFIED:  
TOLERANCES  
IN (INCHES) OR [mm] (MILLIMETERS)  
FRACTIONS: ± 1/64  
DECIMALS: ± .02 ± .009  
ANGLE: ± 1/2°

PROPRIETARY NOTICE:  
THE INFORMATION IN THIS DRAWING IS PROPRIETARY  
AND SHALL NOT BE USED OR DISCLOSED WITHOUT WRITTEN  
PERMISSION FROM MICROWAVE COMMUNICATIONS  
LABORATORIES INC. (MCLI)

