

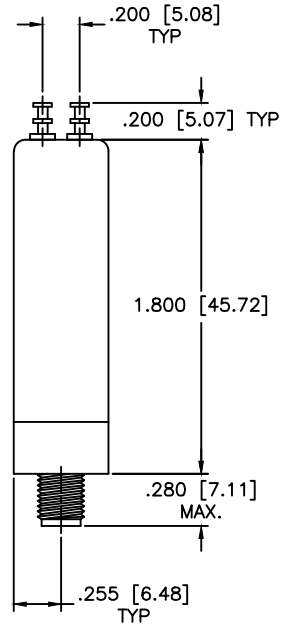
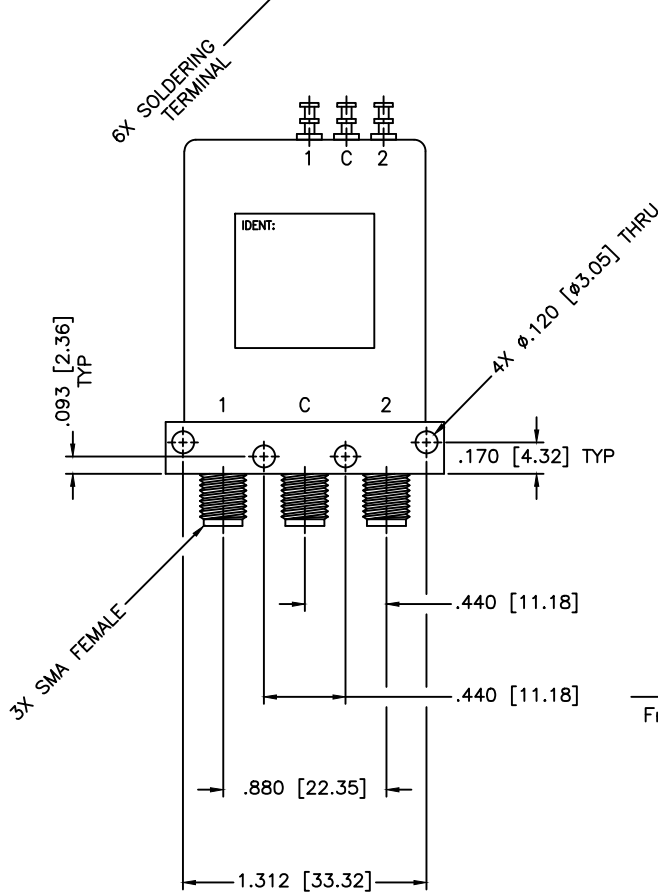
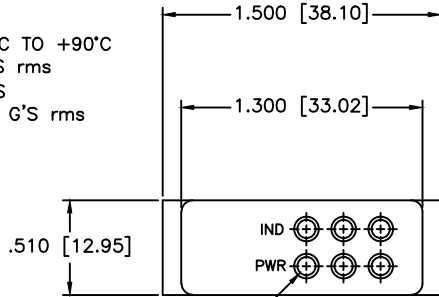
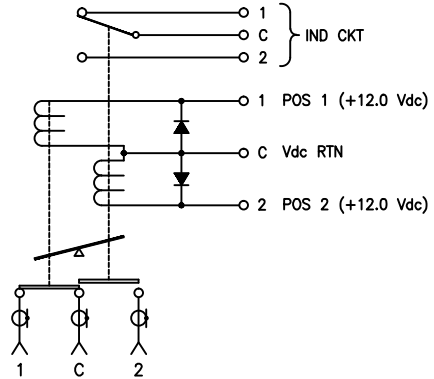
REVISIONS				
ZONE	REV	DESCRIPTION	DATE	APPROVED

MECHANICAL
 CONTACT: BREAK BEFORE MAKE
 ACTUATOR: LATCHING
 SWITCHING SPEED: 20mSEC Max.

ELECTRICAL
 ACTUATOR VOLTAGE: 12.0Vdc
 ACTUATOR CURRENT: 0.100A Max. @ 28.0Vdc
 POWER HANDLING: 200W CW @ 1.0GHz

ENVIRONMENTAL
 OPERATING TEMP: -54°C TO +90°C
 SINE VIBRATION: 30 G'S rms
 LIFE: 1,000,000 CYCLES
 RANDOM VIBRATION: 20 G'S rms

SCHMATIC
 LATCHING, INDICATOR, SUPPRESSION DIODE



SPECIFICATIONS

Frequency Range: DC-26.5 GHz
 VSWR: 1.60:1 Max.
 Insertion Loss: 0.70dB Max.
 Isolation: 50dB Min.
 Impedance: 50 Ohms

MATERIAL:		MICROWAVE COMMUNICATIONS LABORATORIES INC. 7255 30TH AVE. N. SAINT PETERSBURG, FL 33710 TEL: (727) 344-6254 FAX: (727) 381-6116 http://WWW.MCLI.COM		SCALE:	N/A
				DRAWING TITLE:	COAXIAL RF SWITCHES
		UNLESS OTHERWISE SPECIFIED: TOLERANCES IN (INCHES) OR [mm] (MILLIMETERS) FRACTIONS: ± 1/64 DECIMALS: ± .02 ± .009 ANGLE: ± 1/2°		PART NO.	K3-8-LIS/12
DRAWN: Paiboon Luexhamhan	DATE: 03-04-2001	PROPRIETARY NOTICE: THE INFORMATION IN THIS DRAWING IS PROPRIETARY AND SHALL NOT BE USED OR DISCLOSED WITHOUT WRITTEN PERMISSION FROM MICROWAVE COMMUNICATIONS LABORATORIES, INC. (MCLI)		CAGE CODE:	OD2L5
APPROVED: T. Nguyen	DATE: 03-04-2001	THIRD ANGLE PROJECTION 		SIZE: A REV: N/A	DWG NO. 82195
DO NOT SCALE THE DRAWING					