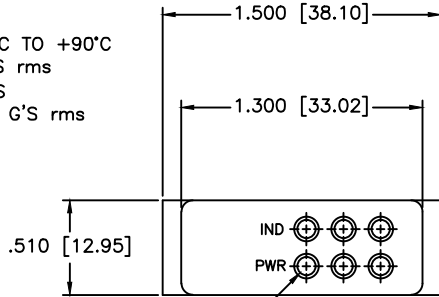


REVISIONS				
ZONE	REV	DESCRIPTION	DATE	APPROVED

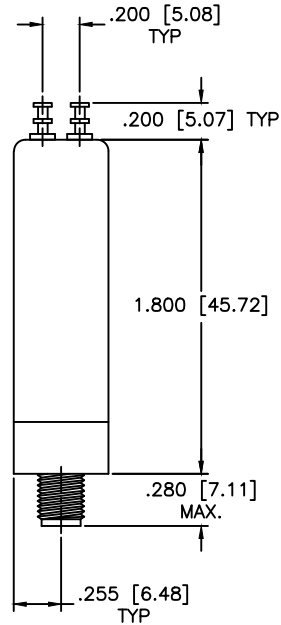
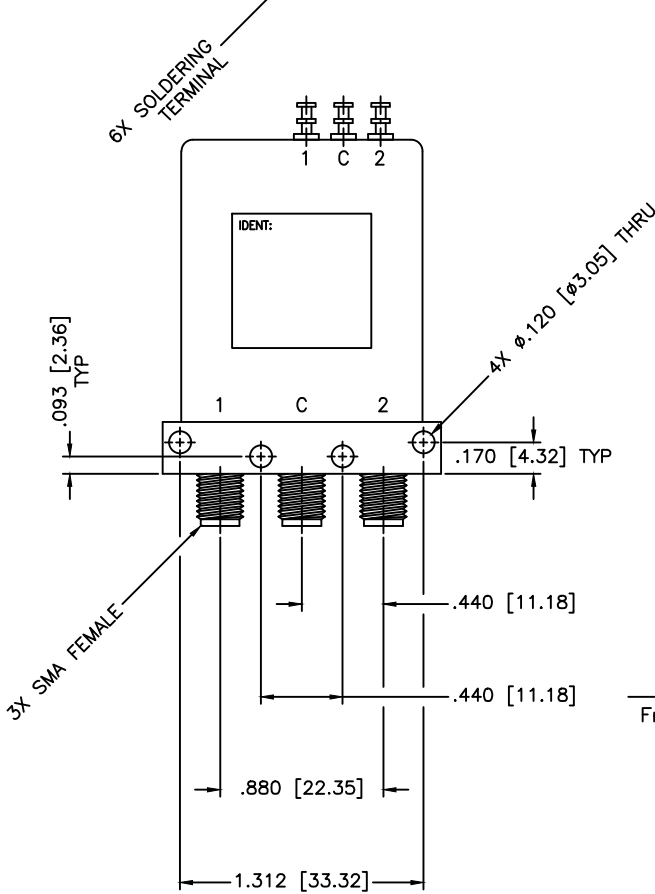
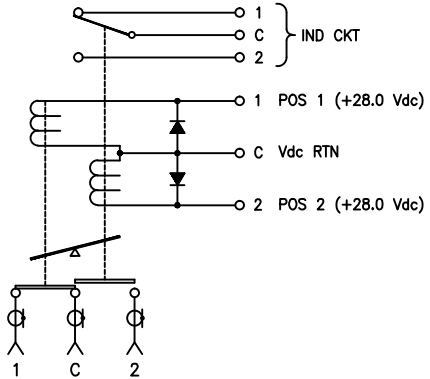
MECHANICAL  
 CONTACT: BREAK BEFORE MAKE  
 ACTUATOR: LATCHING  
 SWITCHING SPEED: 20mSEC Max.

ELECTRICAL  
 ACTUATOR VOLTAGE: 28.0Vdc  
 ACTUATOR CURRENT: 0.100A Max. @ 28.0Vdc  
 POWER HANDLING: 200W CW @ 1.0GHz

ENVIRONMENTAL  
 OPERATING TEMP: -54°C TO +90°C  
 SINE VIBRATION: 30 G'S rms  
 LIFE: 1,000,000 CYCLES  
 RANDOM VIBRATION: 20 G'S rms



SCHMATIC  
 LATCHING, INDICATOR, SUPPRESSION DIODE



SPECIFICATIONS

Frequency Range: DC-26.5 GHz  
 VSWR: 1.60:1 Max.  
 Insertion Loss: 0.70dB Max.  
 Isolation: 50dB Min.  
 Impedance: 50 Ohms

MATERIAL:	MICROWAVE COMMUNICATIONS LABORATORIES INC. 7255 30TH AVE. N. SAINT PETERSBURG, FL 33710 TEL: (727) 344-6254 FAX: (727) 381-6116 http://WWW.MCLI.COM		SCALE:	N/A
			SHEET:	N/A
UNLESS OTHERWISE SPECIFIED: TOLERANCES IN (INCHES) OR [mm] (MILLIMETERS) FRACTIONS: ± 1/64 DECIMALS: ±.02 ±.009 ANGLE: ±1/2°		DRAWING TITLE: COAXIAL RF SWITCHES		
DRAWN: Paiboon Luexhamhan		DATE: 03-04-2001		PART NO. K3-8-LIS
APPROVED: T. Nguyen		DATE: 03-04-2001		CAGE CODE: OD2L5
PROPRIETARY NOTICE: THE INFORMATION IN THIS DRAWING IS PROPRIETARY AND SHALL NOT BE USED OR DISCLOSED WITHOUT WRITTEN PERMISSION FROM MICROWAVE COMMUNICATIONS LABORATORIES INC. (MCLI)		SIZE: A REV: N/A DWG NO.: 81666	DO NOT SCALE THE DRAWING	
THIRD ANGLE PROJECTION 				