

REVISIONS				
ZONE	REV	DESCRIPTION	DATE	APPROVED

MECHANICAL

CONTACT: BREAK BEFORE MAKE
 ACTUATOR: LATCHING
 SWITCHING SPEED: 20mSEC Max.

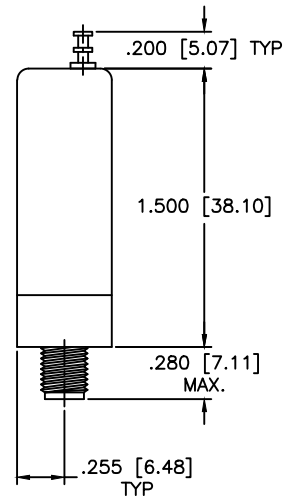
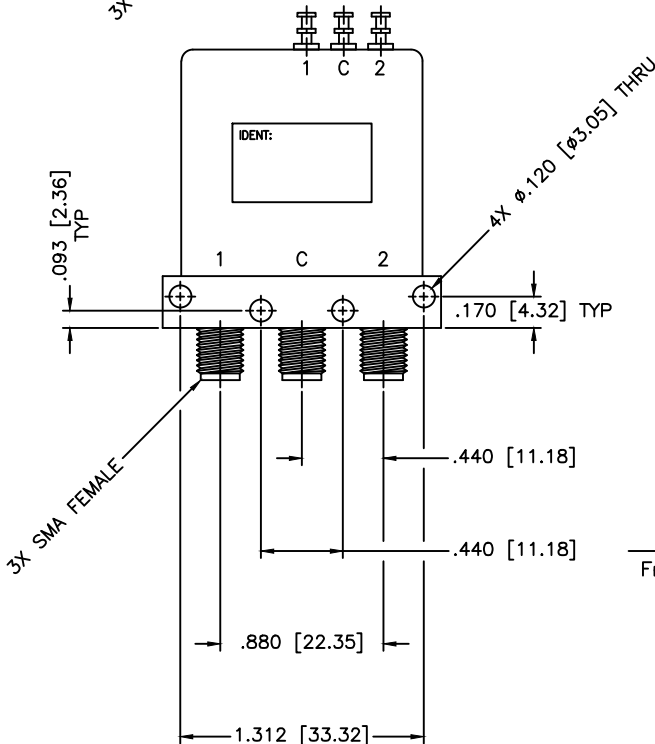
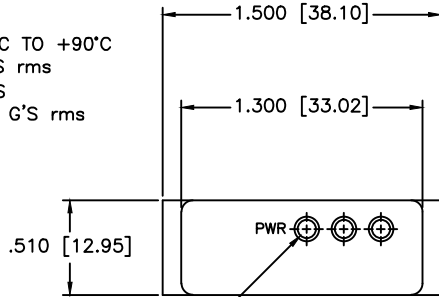
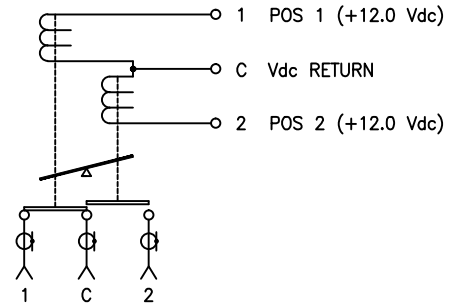
ELECTRICAL

ACTUATOR VOLTAGE: 12.0Vdc
 ACTUATOR CURRENT: 0.100A Max. @ 28.0Vdc
 POWER HANDLING: 200W CW @ 1.0GHz

ENVIRONMENTAL

OPERATING TEMP: -54°C TO +90°C
 SINE VIBRATION: 30 G'S rms
 LIFE: 1,000,000 CYCLES
 RANDOM VIBRATION: 20 G'S rms

SCHEMATIC, LATCHING



SPECIFICATIONS

Frequency Range: DC-26.5 GHz
 VSWR: 1.60:1 Max.
 Insertion Loss: 0.70dB Max.
 Isolation: 50dB Min.
 Impedance: 50 Ohms

MATERIAL:			MICROWAVE COMMUNICATIONS LABORATORIES INC. 7255 30TH AVE. N. SAINT PETERSBURG, FL 33710 TEL: (727) 344-6254 FAX: (727) 381-6116 http://WWW.MCLI.COM		SCALE:	N/A
			UNLESS OTHERWISE SPECIFIED: TOLERANCES IN (INCHES) OR [mm] (MILLIMETERS) FRACTIONS: ± 1/64 DECIMALS: ±.02 ±.009 ANGLE: ±1/2°		SHEET:	N/A
DRAWN:		DATE:		DRAWING TITLE:		
Paiboon Luexhamhan		03-04-2001		COAXIAL RF SWITCHES		
APPROVED:		DATE:		PART NO.		
T. Nguyen		03-04-2001		K3-8-L/12		
THIRD ANGLE PROJECTION		CAGE CODE:		SIZE:	REV:	DWG NO.
		OD2L5		A	N/A	82193
DO NOT SCALE THE DRAWING						