

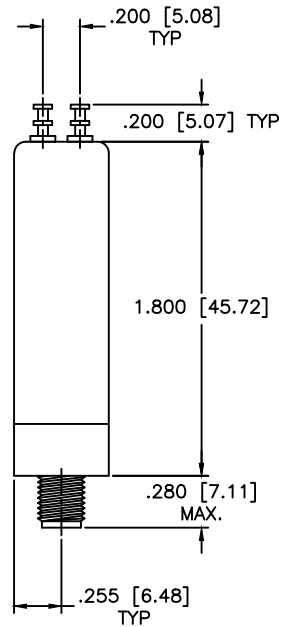
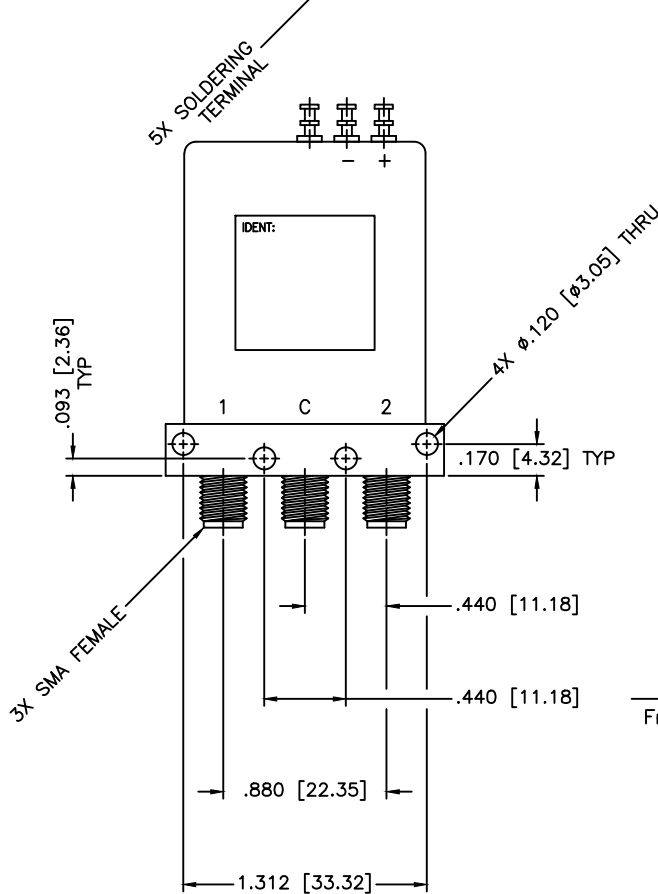
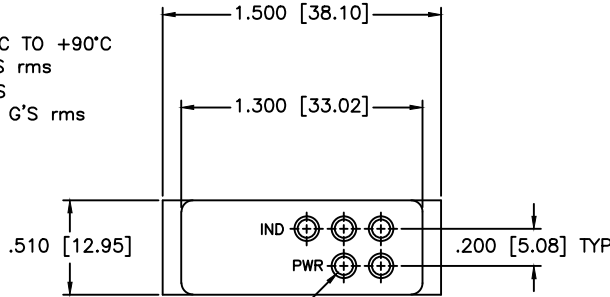
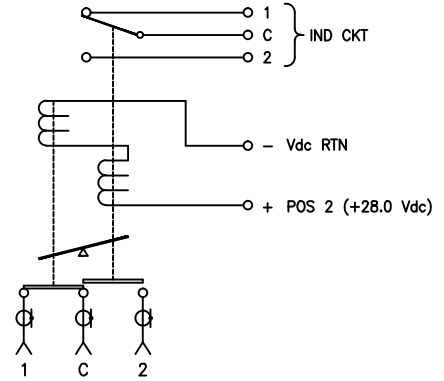
REVISIONS				
ZONE	REV	DESCRIPTION	DATE	APPROVED

MECHANICAL  
 CONTACT: BREAK BEFORE MAKE  
 ACTUATOR: FAILSAFE  
 SWITCHING SPEED: 20mSEC Max.

ELECTRICAL  
 ACTUATOR VOLTAGE: 28.0Vdc  
 ACTUATOR CURRENT: 0.100A Max. @ 28.0Vdc  
 POWER HANDLING: 200W CW @ 1.0GHz

ENVIRONMENTAL  
 OPERATING TEMP: -54°C TO +90°C  
 SINE VIBRATION: 30 G'S rms  
 LIFE: 1,000,000 CYCLES  
 RANDOM VIBRATION: 20 G'S rms

SCHMATIC  
 SHOWN IN, FAILSAFE, INDICATOR



SPECIFICATIONS

Frequency Range: DC-18.0 GHz  
 VSWR: 1.50:1 Max.  
 Insertion Loss: 0.50dB  
 Isolation: 60dB  
 Impedance: 50 Ohms

MATERIAL:		MICROWAVE COMMUNICATIONS LABORATORIES INC. 7255 30TH AVE. N. SAINT PETERSBURG, FL 33710 TEL: (727) 344-6254 FAX: (727) 381-6116 http://WWW.MCLI.COM		SCALE:	N/A
				SHEET:	N/A
UNLESS OTHERWISE SPECIFIED: TOLERANCES IN (INCHES) OR [mm] (MILLIMETERS) FRACTIONS: ± 1/64 DECIMALS: ±.02 ±.009 ANGLE: ±1/2°		DRAWING TITLE: COAXIAL RF SWITCHES			
DRAWN: Paiboon Luexhamhan		DATE: 09-04-2006		PART NO. K3-7-FI/28VDC	
APPROVED: T. Nguyen		DATE: 09-04-2006		CAGE CODE:	OD2L5
THIRD ANGLE PROJECTION		SIZE:	A	REV:	N/A
		DO NOT SCALE THE DRAWING		DWG NO.:	83949