

REVISIONS				
ZONE	REV	DESCRIPTION	DATE	APPROVED

MECHANICAL

CONTACT: BREAK BEFORE MAKE
 ACTUATOR: FAILSAFE
 SWITCHING SPEED: 20 mSEC MAX

ELECTRICAL

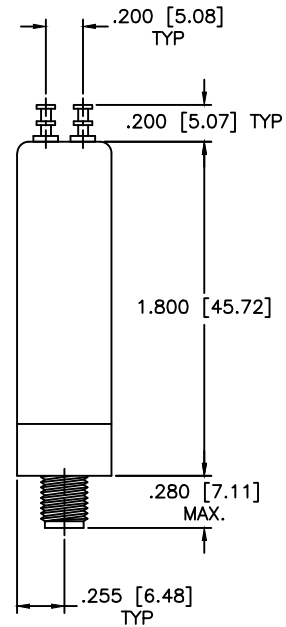
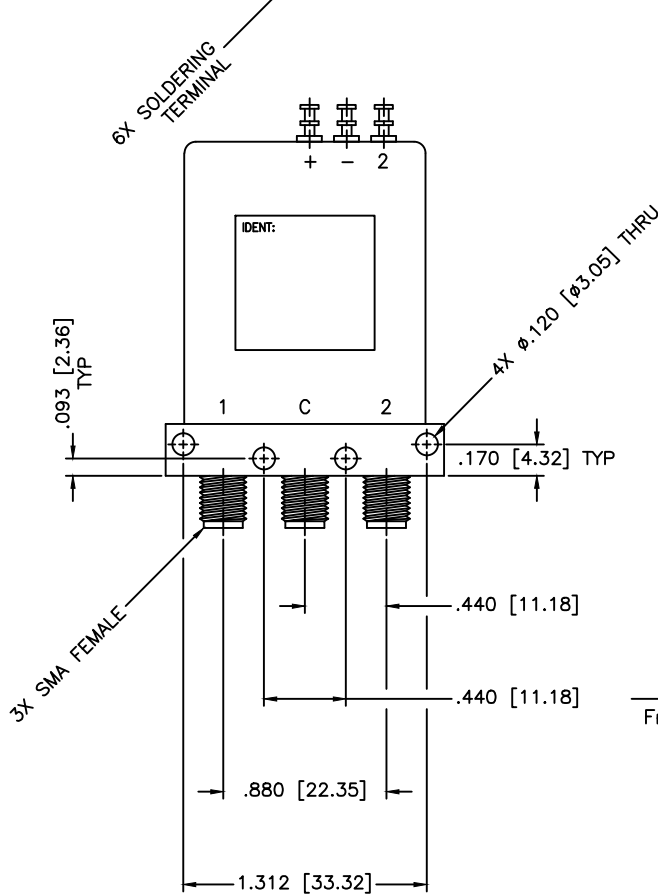
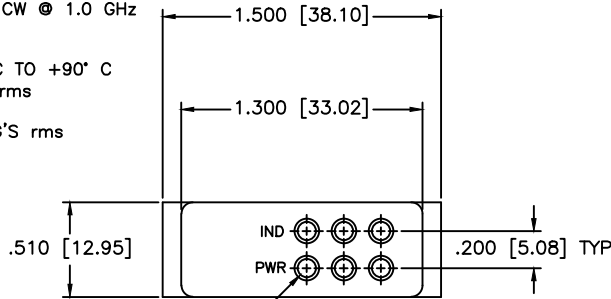
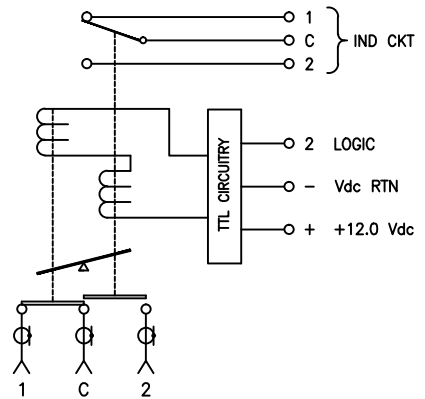
ACTUATOR VOLTAGE: 12.0 Vdc ±3Vdc
 ACTUATOR CURRENT: 250 mA MAX
 POWER HANDLING: 240W CW @ 1.0 GHz

ENVIRONMENTAL

OPERATING TEMP: -54° C TO +90° C
 SINE VIBRATION: 30 G'S rms
 LIFE: 1,000,000 CYCLES
 RANDOM VIBRATION: 20 G'S rms

SCHEMATIC

FAILSAFE, INDICATOR, TTL



SPECIFICATIONS

Frequency Range: DC-3.0 GHz
 VSWR: 1.20:1 Max.
 Insertion Loss: 0.20dB Max.
 Isolation: 80dB Min.
 Impedance: 50 Ohms

MATERIAL:		MICROWAVE COMMUNICATIONS LABORATORIES INC. 7255 30TH AVE. N. SAINT PETERSBURG, FL 33710 TEL: (727) 344-6254 FAX: (727) 381-6116 http://WWW.MCLI.COM		SCALE:	N/A
				SHEET:	N/A
UNLESS OTHERWISE SPECIFIED: TOLERANCES IN (INCHES) OR [mm] (MILLIMETERS) FRACTIONS: ± 1/64 DECIMALS: ±.02 ±.009 ANGLE: ±1/2°		DRAWING TITLE: COAXIAL RF SWITCHES			
DRAWN: Paiboon Luexhamhan		DATE: 09-15-2011		PART NO. K3-3-FLI/12	
APPROVED: T. Nguyen		DATE: 09-15-2011		CAGE CODE: OD2L5	
THIRD ANGLE PROJECTION		SIZE: A		REV: N/A	
		DWG NO. 85887		DO NOT SCALE THE DRAWING	