

REVISIONS				
ZONE	REV	DESCRIPTION	DATE	APPROVED

MECHANICAL

CONTACT: BREAK BEFORE MAKE
 ACTUATOR: LATCHING
 SWITCHING SPEED: 20 mSEC MAX

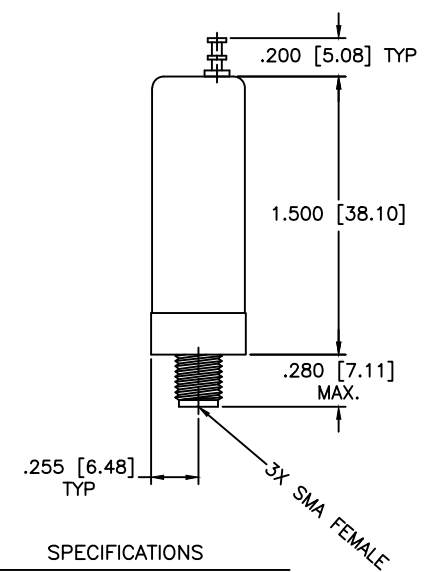
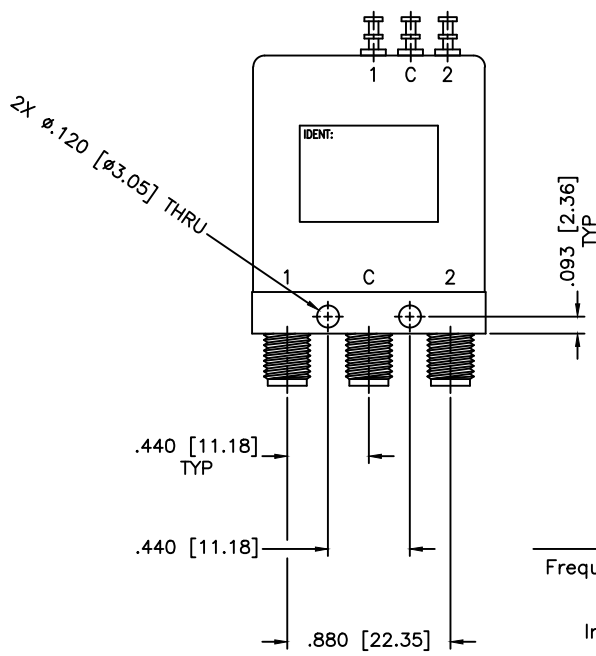
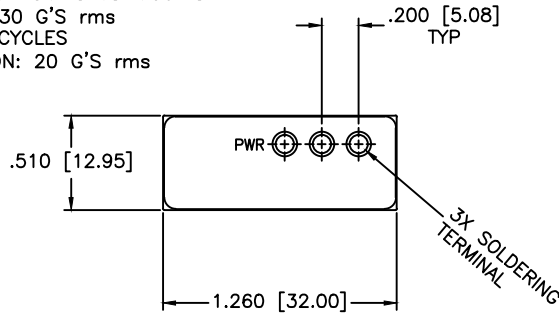
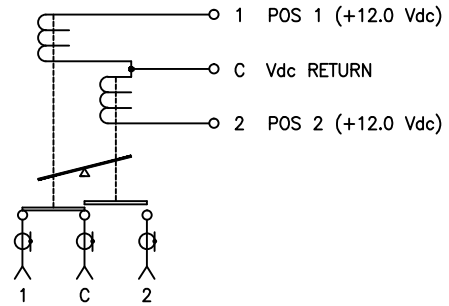
ELECTRICAL

ACTUATOR VOLTAGE: 12.0 Vdc
 ACTUATOR CURRENT: 0.100 A MAX @ 12.0 Vdc
 POWER HANDLING: 200W CW @ 1.0 GHz

ENVIRONMENTAL

OPERATING TEMP: -54° C TO +90° C
 SINE VIBRATION: 30 G'S rms
 LIFE: 1,000,000 CYCLES
 RANDOM VIBRATION: 20 G'S rms

SCHEMATIC, LATCHING



SPECIFICATIONS

Frequency Range: DC-26.5 GHz
 VSWR: 1.60:1 Max.
 Insertion Loss: 0.70dB
 Isolation: 50dB
 Impedance: 50 Ohms

MATERIAL:			MICROWAVE COMMUNICATIONS LABORATORIES INC. 7255 30TH AVE. N. SAINT PETERSBURG, FL 33710 TEL: (727) 344-6254 FAX: (727) 381-6116 http://WWW.MCLI.COM		SCALE:	N/A
					SHEET:	N/A
UNLESS OTHERWISE SPECIFIED: TOLERANCES IN (INCHES) OR [mm] (MILLIMETERS) FRACTIONS: ± 1/64 DECIMALS: ±.02 ±.009 ANGLE: ±1/2°		DRAWING TITLE: COAXIAL RF SWITCHES				
DRAWN: Paiboon Luexhamhan		DATE: 03-04-2001		PART NO. K2-8-L/12		
APPROVED: T. Nguyen		DATE: 03-04-2001		CAGE CODE:	SIZE: A	REV: N/A
		THIRD ANGLE PROJECTION		OD2L5	DWG NO. 82200	
DO NOT SCALE THE DRAWING						